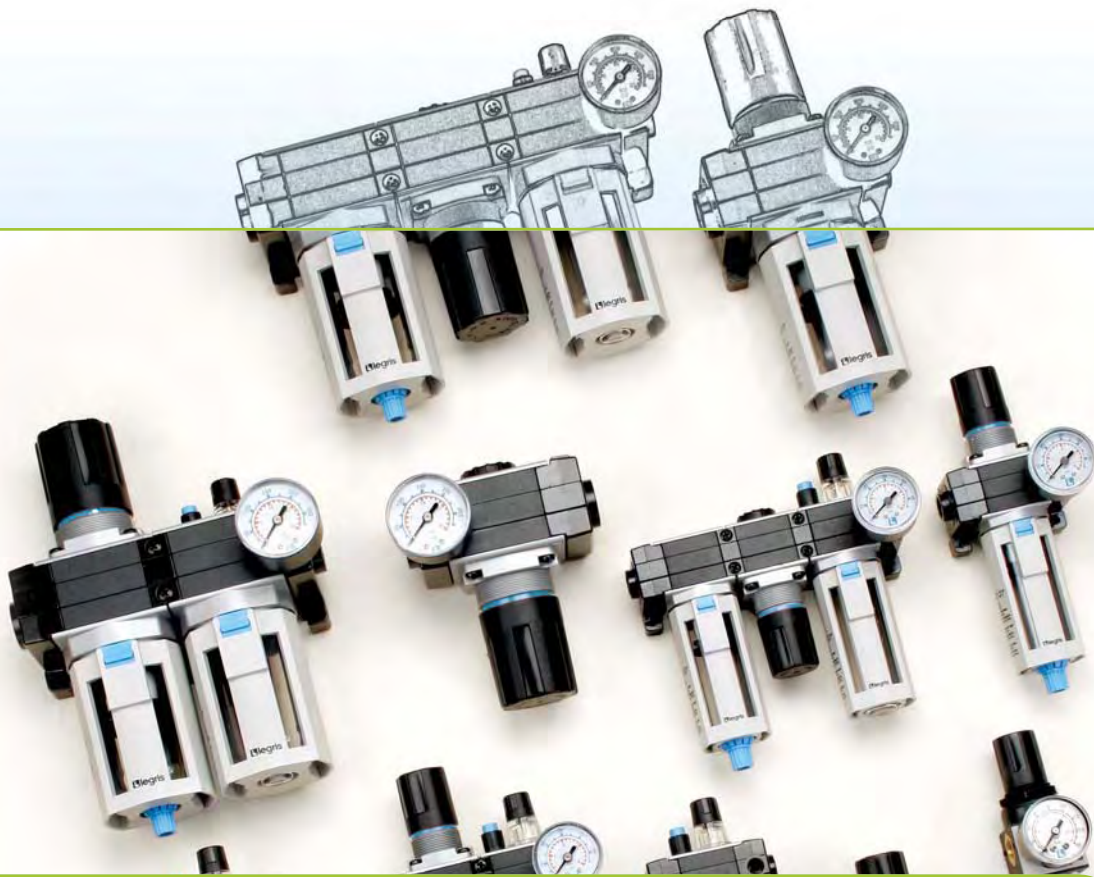


legris



FILTER



REGULATOR



LUBRICATOR



FILTER
REGULATOR



FILTER
REGULATOR
+ LUBRICATOR



FILTER
+ REGULATOR
+ LUBRICATOR



airwareTM

Filters, Regulators and Lubricators
Your Single Source for Air Preparation Equipment

The Complete Range of Legris Air Preparation Equipment

Filter (F)

F011
Pg. 10,11



F012
Pg. 10,11



F013
Pg. 10,11



Purifying Filter

F133
Pg. 12



Coalescing Filter (Sub-micronic)

F141
Pg. 13



F142
Pg. 13



F143
Pg. 13



Activated Carbon Filter

F151
Pg. 14



F152
Pg. 14



F153
Pg. 14



Regulator (R)

F021
Pg. 16, 17



F022
Pg. 16, 17



F023
Pg. 16, 17



Lubricator (L)

F031
Pg. 18, 19



F032
Pg. 18, 19



F033
Pg. 18, 19



Filter Regulator (FR)

F041
Pg. 20, 21



F042
Pg. 20, 21



F043
Pg. 20, 21



Filter Regulator + Lubricator (FR+L)

F051
Pg. 22, 23



F052
Pg. 22, 23



F053
Pg. 22, 23



Filter + Regulator + Lubricator (F+R+L)

F061
Pg. 24, 25



F062
Pg. 24, 25



F063
Pg. 24, 25



Diverter Block

F071, F072, F073
Pg. 26



Shut-off Valve

F083
Pg. 27



Manual Shut-off Valve

F093
Pg. 28



F092 – lockable
Pg. 29



F093 – lockable
Pg. 29



Slow-Start Valve

F103
Pg. 30



Pressure Switch

F112
Pg. 31



F113
Pg. 31



Pilot Regulator

F123
Pg. 32



Accessories

Pg. 33



Related Products

Pg. 35



FRL Icon Reference

Find the range you need.

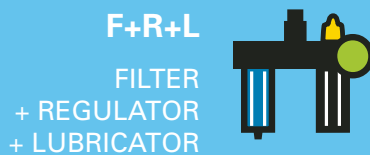
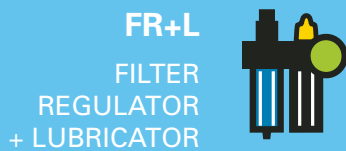
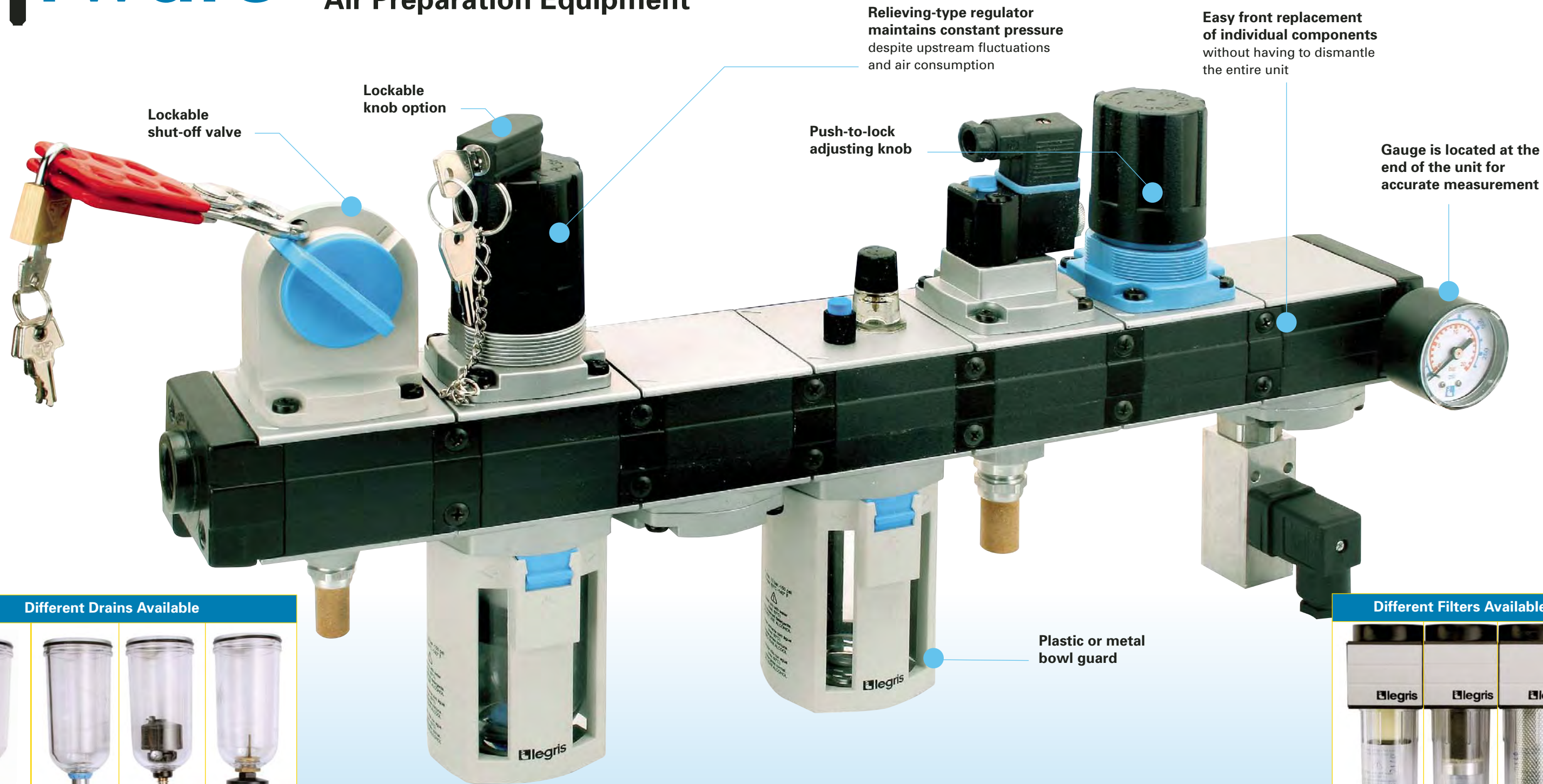


Table of Contents

Introduction	
– Choosing the Correct Range	4
– Materials & Construction	6
– Modularity & Applications	8
Filters	10
– Purifying	12
– Coalescing (Sub-micronic)	13
– Activated Carbon	14
– Filter Unit Installation	15
Regulators	16
Lubricators	18
Filter Regulators	20
Filter Regulator + Lubricators	22
Filter + Regulator + Lubricators	24
Optional Components	26
Diverter Block	26
Valves	27
– Shut-off	27
– Manual Shut-off	28
– Slow-Start	30
Pressure Switch	31
Pilot Operated Pressure Regulators	32
Accessories	33
Related Products	35
Index	37



Your Single Source for Air Preparation Equipment



Lockable shut-off valve

Lockable knob option

Relieving-type regulator maintains constant pressure despite upstream fluctuations and air consumption

Push-to-lock adjusting knob

Easy front replacement of individual components without having to dismantle the entire unit

Gauge is located at the end of the unit for accurate measurement

Plastic or metal bowl guard

Different Drains Available



Manual Drain (default)	Semi-automatic Drain	Automatic Drain (internal)	Automatic Drain (external)
------------------------	----------------------	----------------------------	----------------------------

Different Filters Available

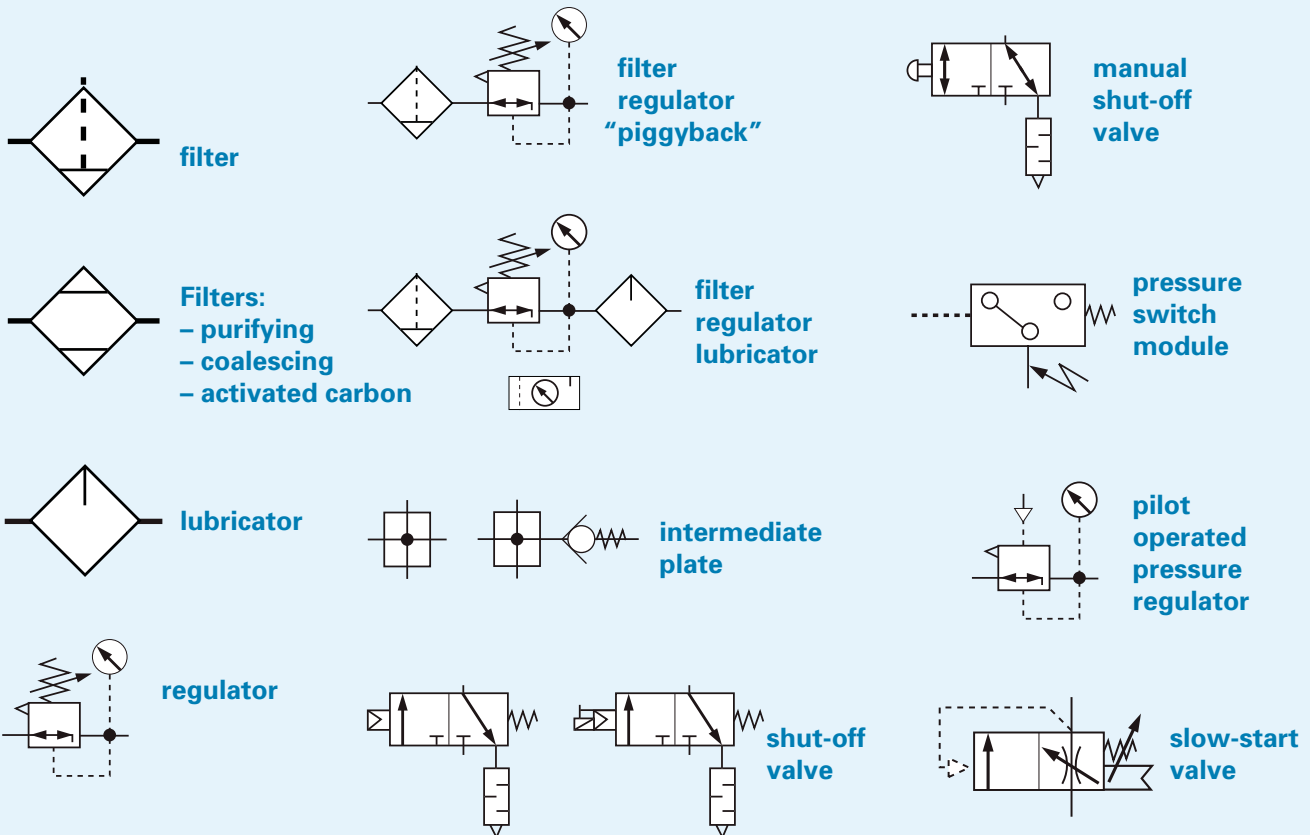


Particulate Filter	Coalescing Filter (sub-micronic)	Activated Carbon Filter
--------------------	----------------------------------	-------------------------

Choose the Correct Range for your FRL Application

Products	Miniature	Compact	Standard
Thread in NPT	1/8; 1/4	1/8; 1/4; 3/8	1/4; 3/8; 1/2; 3/4; 1
Plastic bowl guard	No	Yes	Yes
Metal bowl guard	No	Yes	Yes
Manual drain	Yes	Yes	Yes
Semi-automatic drain	Yes	Yes	Yes
Internal Automatic drain	No	No	Yes
External Automatic drain	No	Yes	Yes
Filter	5 μ & 25 μ	5 μ & 40 μ	5 μ & 40 μ
Purifying filter	No	No	Yes
Coalescing filter (Sub-micronic)	Yes	Yes	Yes
Activated carbon filter	Yes	Yes	Yes
Regulator	8-58 psi & 8-116 psi	8-36 psi, 8-145 psi & 8-232 psi	8-36 psi, 8-145 psi & 8-232 psi
Lubricator	Yes	Yes	Yes
Filter Regulator "Piggyback"	Yes	Yes	Yes
Filter Regulator + Lubricator	Yes	Yes	Yes
Filter + Regulator + Lubricator	Yes	Yes	Yes
Diverter block	Yes	Yes	Yes
Pneumatically & electrically operated shut-off valve	No	No	Yes
Manual lockable exhaust valve	No	Yes	Yes
Slow-Start valve	No	No	Yes
Pressure switch module	No	Yes	Yes
Pilot operated pressure regulators	No	No	Yes

Pneumatic Symbols

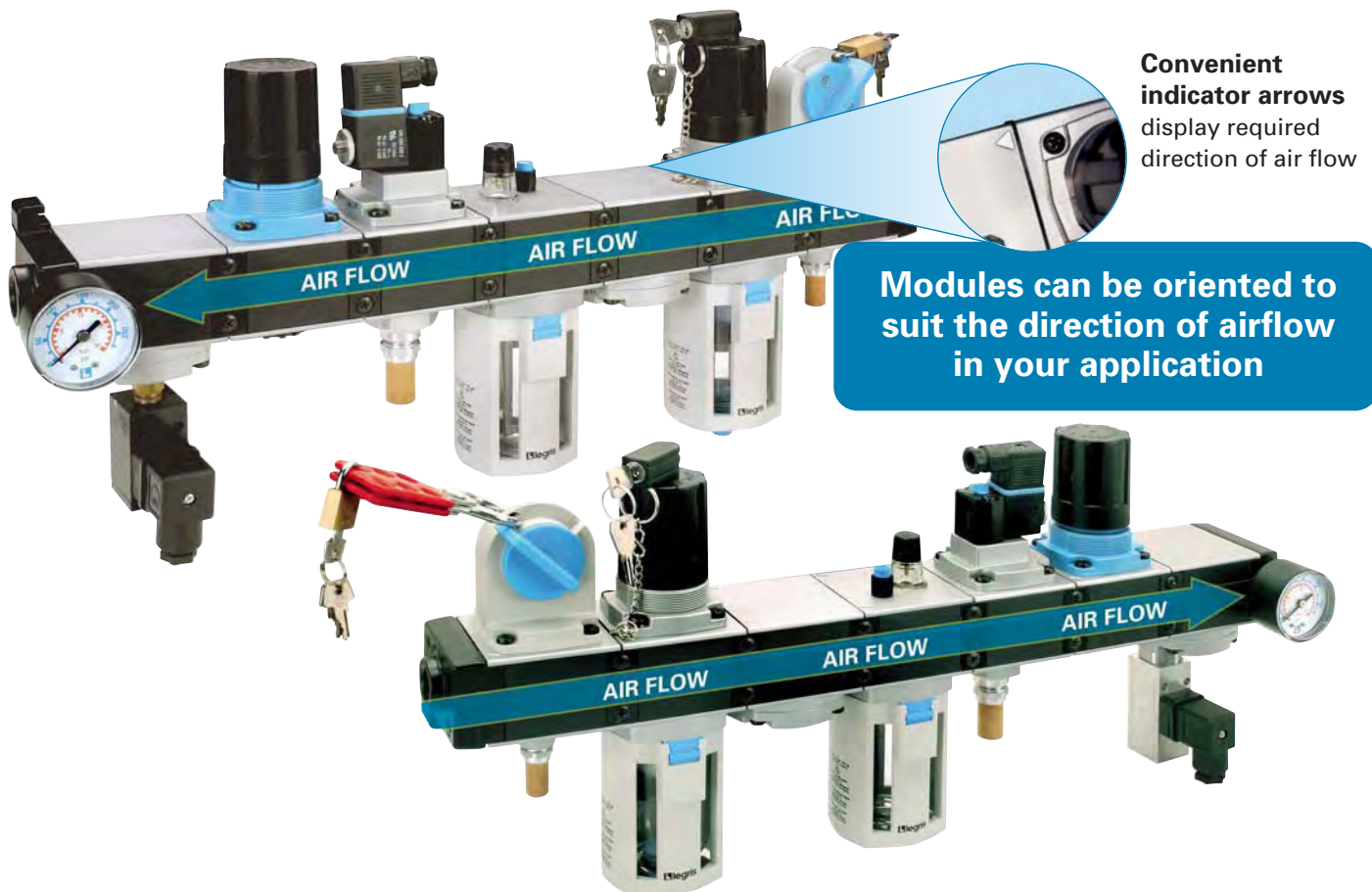
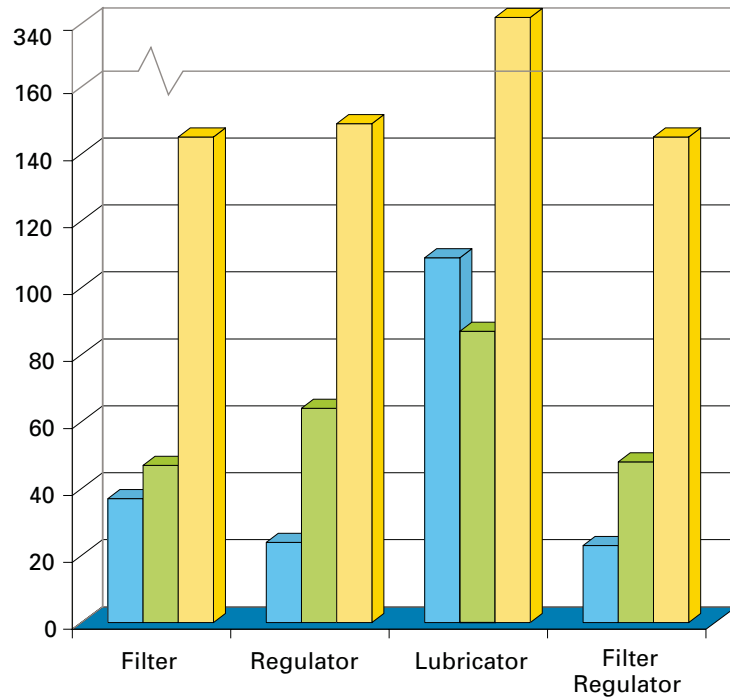


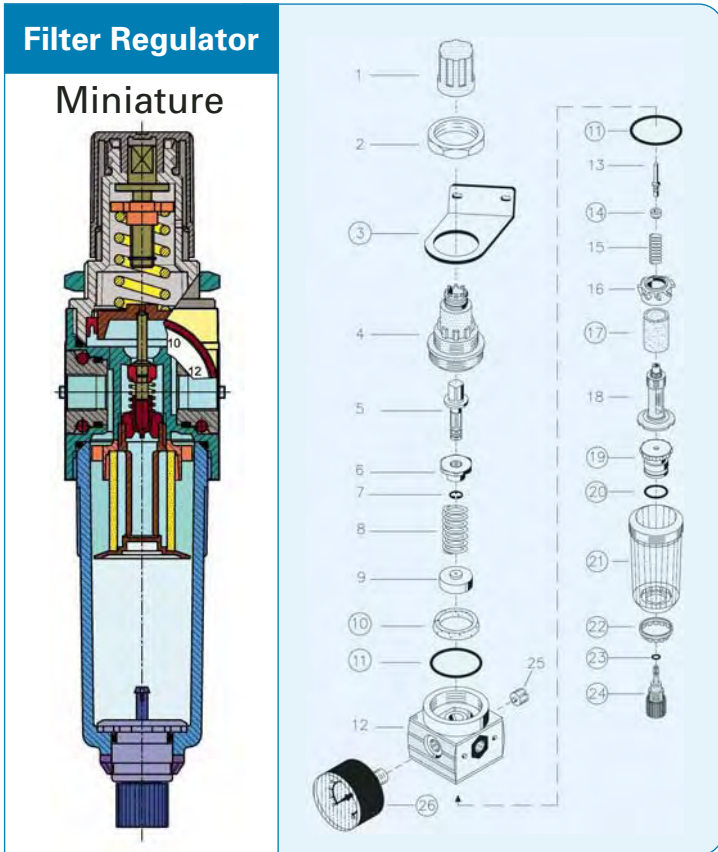
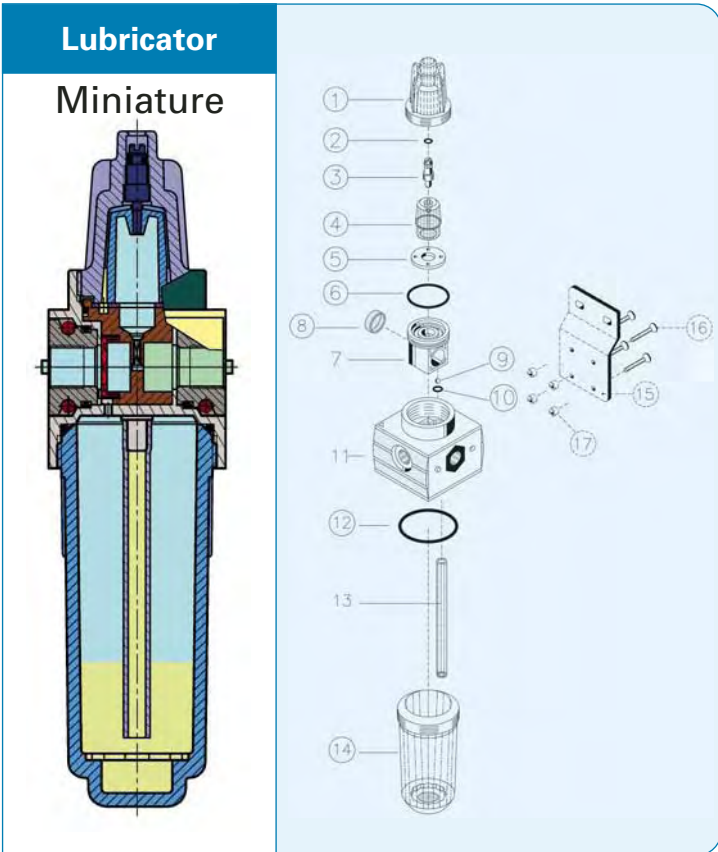
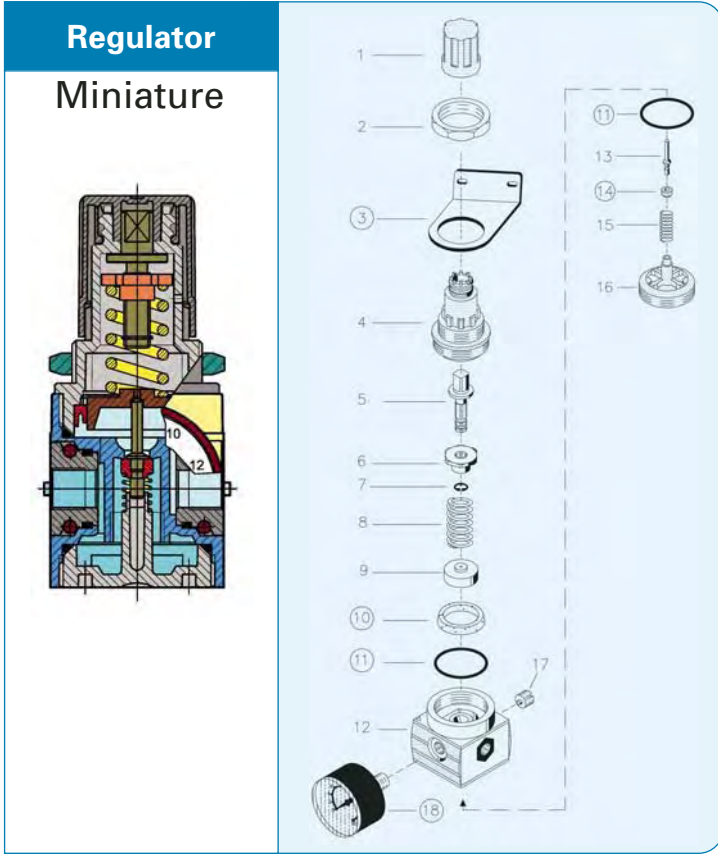
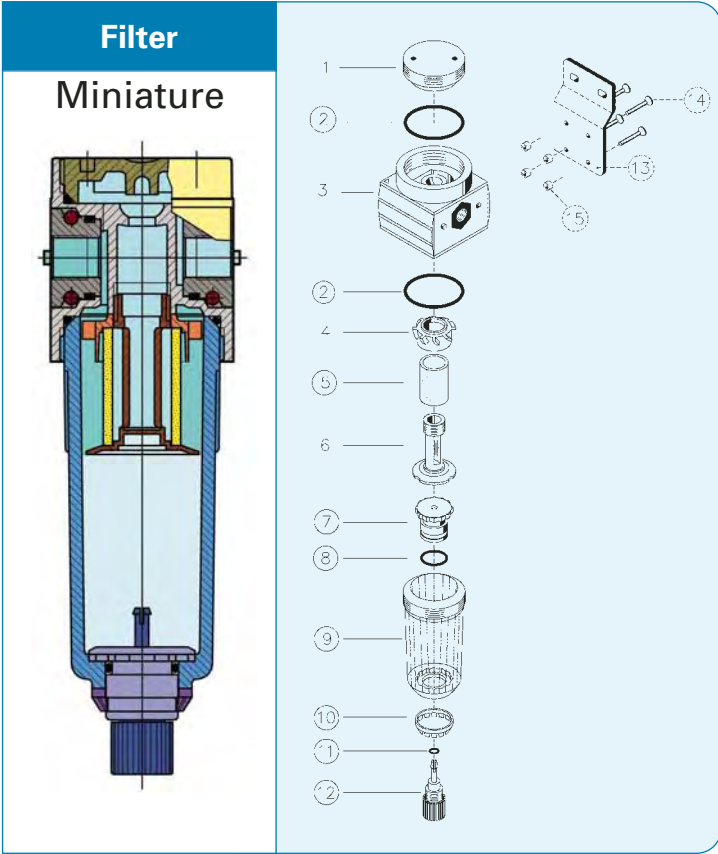
Flow Comparison Between the 3 Ranges (in scfm)

F and L: Flow with 90 psi inlet pressure and 15 psi pressure drop

R and FR: Flow with 116 psi inlet pressure, 90 psi set pressure and 15 psi pressure drop

- Miniature 1/4
- Compact 3/8
- Standard 1/2





Need help?

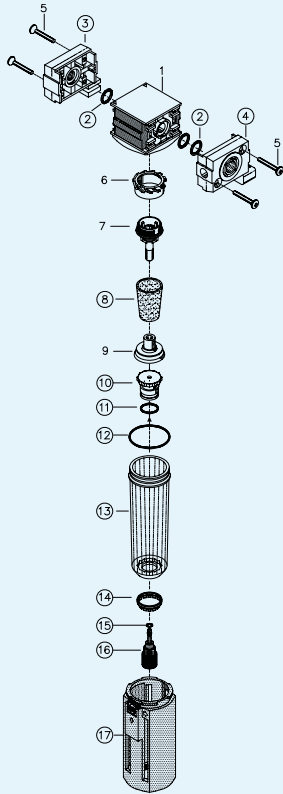
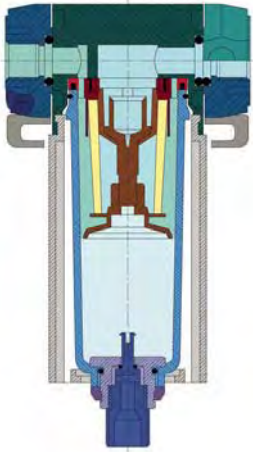
Please feel free to email or call.

customerservice@legris.com

480-830-0216

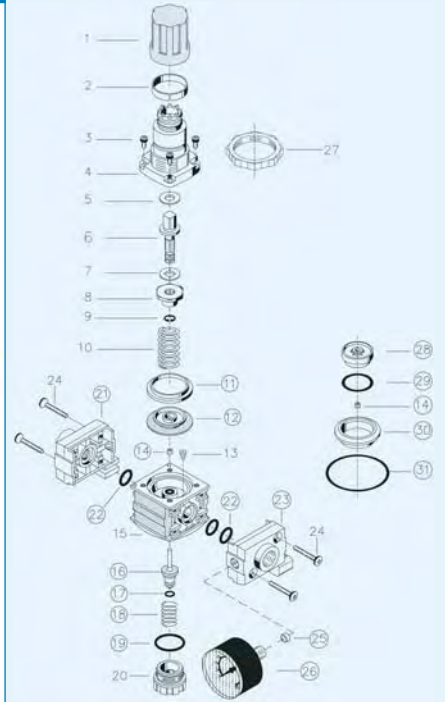
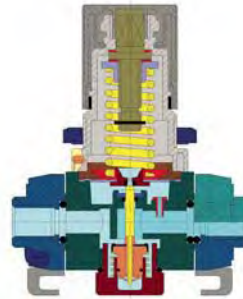
Filter

Compact & Standard



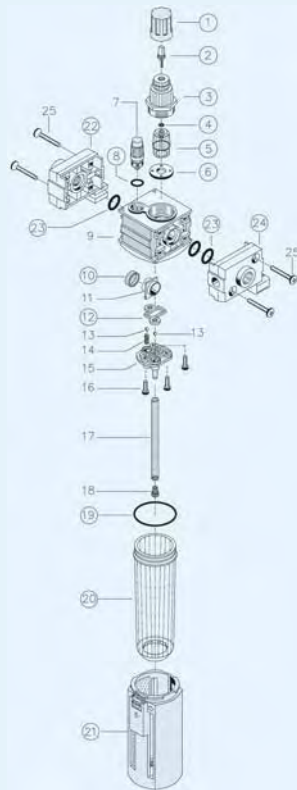
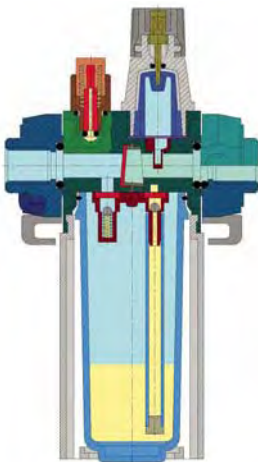
Regulator

Compact & Standard



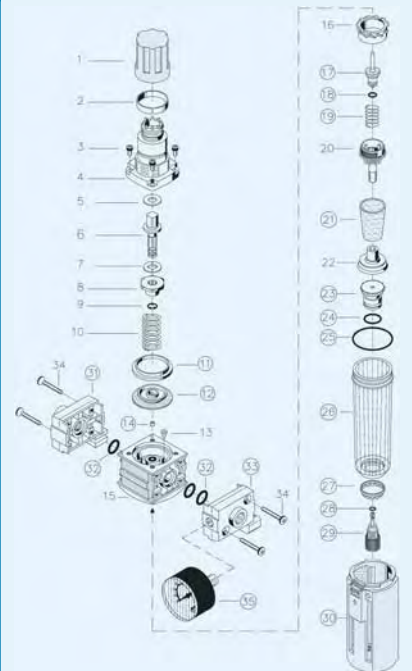
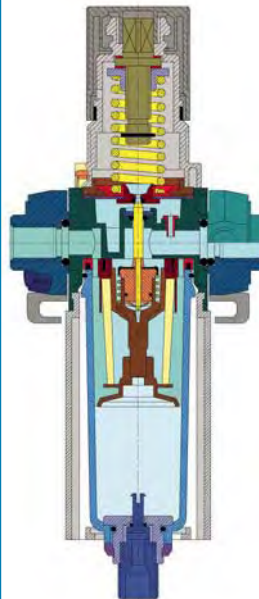
Lubricator

Compact & Standard



Filter Regulator

Compact & Standard



Modularity — Application Examples

The modular structure of the Airware™ system enables a wide variety of functional combinations, which provide the most suitable solutions for a myriad of applications.

The components have been designed to make the connections between the units easy and effective.



Standard Airware™ kits, like the FR+L unit shown here, can be easily upgraded with valves and accessories.



Only two screws must be removed to separate one of the endplates from the unit.



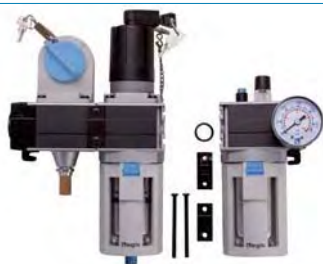
After the endplates have been removed, a new function can be added to the original equipment. In this example, the new function is a lockable shut-off valve.



The joining kit, composed of two small plates and two screws, is included in the modular version of the valve.



Once the lockable shut-off valve is joined to the unit, simply reattach the endplate.



Additional functions can be added to the unit, between the filter-regulator and the lubricator.



In this example, a diverter block is introduced to the Standard unit. The kit for joining elements is included with the diverter block module.

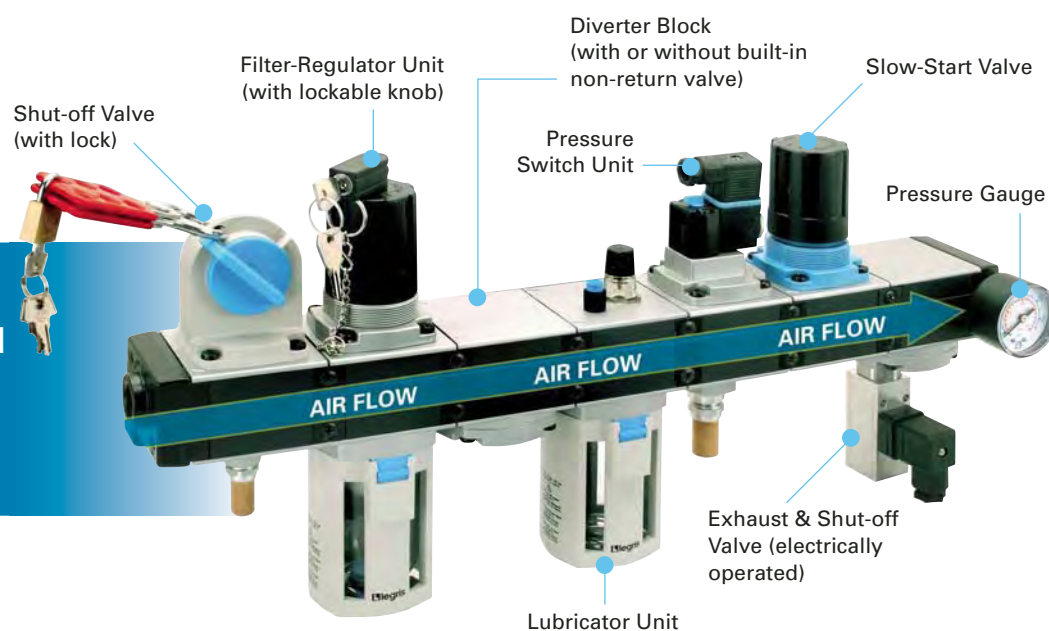


Many other functions can be added to the unit at the outlet of the lubricator.



Three additional functions have been quickly and efficiently added to this unit. The modularity of these devices provides the user with a wide range of alternatives.

Modules can be added or exchanged in a matter of seconds without special tools



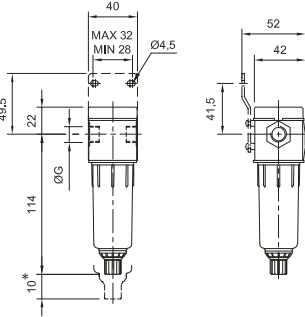
F011, F012, F013 Filter Unit

Measurements & Flow Characteristics

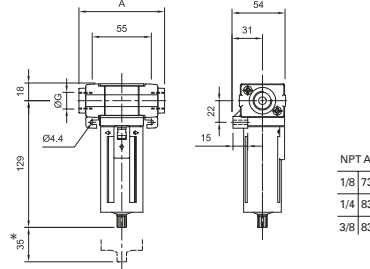
Measurements

*Required space for bowl guard removal.

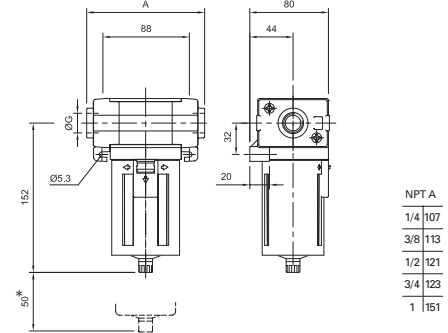
Miniature



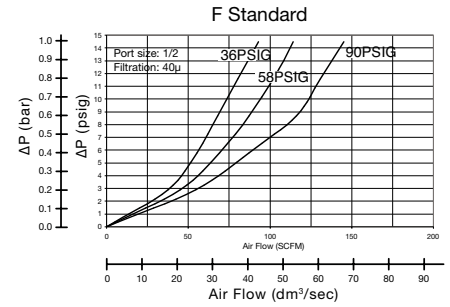
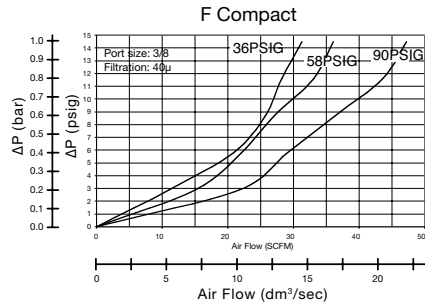
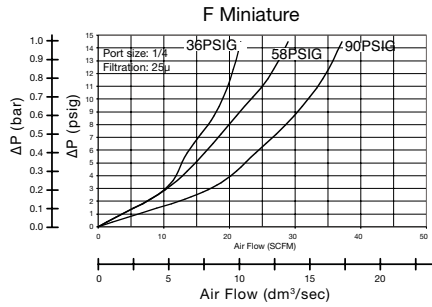
Compact



Standard



Flow Characteristics



Selecting Products & Interpreting Part Numbers

Product Series		Type of Drain	Filtration Rate	Thread	Working Pressure	Bowl Guard
F 0 1	—	—	—	—	—	—
Miniature	1	Manual	M 2 5 microns	0 0 Without endplates (compact/standard)	0-150 psi	4 - Plastic (compact/standard)
Compact	2	Semi-automatic	E 3 25 microns (miniature)	1 1 NPT 1/8 (miniature/compact)	0-232 psi*	5 5 Metal (compact/standard)
Standard	3	Automatic Internal (standard)	A 5 40 microns (compact/standard)	1 4 NPT 1/4		
		Automatic External (compact/standard)	D	1 8 NPT 3/8 (compact/standard)		
				2 2 NPT 1/2 (standard)		
				2 8 NPT 3/4 (standard)		
				3 5 NPT 1 (standard)		

Product Series & Part Number Range

Series	NPT	Fine 5μ	Normal*
Miniature	1/8	F011 M2 11 4	F011 M3 11 4
Miniature	1/4	F011 M2 14 4	F011 M3 14 4
Compact	1/8	F012 M2 11 4	F012 M5 11 4
Compact	1/4	F012 M2 14 4	F012 M5 14 4
Compact	3/8	F012 M2 18 4	F012 M5 18 4
Standard	1/4	F013 M2 14 4	F013 M5 14 4

Example Part Number Translation

F 0 1 2	M 2	1 4	4 -
Compact	Manual 5 microns	NPT 1/4	0-150 psi Plastic

*Pressure up to 232 psi for Compact & Standard range only with the metal bowl guard.

F011, F012, F013 Filter Unit

Miniature, Compact & Standard Ranges

11

airware



F011 Miniature



F012 Compact



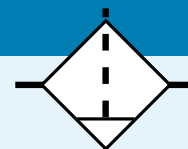
F013 Standard



Series	NPT	Fine Filtration 5µ	Normal Filtration*
Miniature	1/8	F011 M2 11 4	F011 M3 11 4
Miniature	1/4	F011 M2 14 4	F011 M3 14 4
Compact	1/8	F012 M2 11 4	F012 M5 11 4
Compact	1/4	F012 M2 14 4	F012 M5 14 4
Compact	3/8	F012 M2 18 4	F012 M5 18 4
Standard	1/4	F013 M2 14 4	F013 M5 14 4
Standard	3/8	F013 M2 18 4	F013 M5 18 4
Standard	1/2	F013 M2 22 4	F013 M5 22 4
Standard	3/4	F013 M2 28 4	F013 M5 28 4
Standard	1	F013 M2 35 4	F013 M5 35 4

* 25µ for Miniature & 40µ for Compact & Standard.

Technical Specifications:



Fluid: Compressed air

Working pressure:

Miniature range: 0–150 psi

Compact & Standard range: 0–150 psi

(Optional: 0–232 psi with metal bowl guard only)

Working temperature:

Miniature range: 32–122°F

Compact & Standard range: 32–150°F

Condensate capacity:

Miniature range: 0.74 oz.

Compact range: 0.85 oz.

Standard range: 2.2 oz.

Installation position: Vertical, with bowl below

Materials of construction:

Body:

Miniature: Plastic with Metal Insert

Compact & Standard: Metal – Aluminum

Transparent Bowl: Plastic – Polycarbonate

Bowl Guard:

Compact & Standard: Plastic – Acetal Resin

Optional: Metal – Zamac

Filtering Element: Porous Plastic – Polypropylene

O-ring: Nitrile

- 3 sizes to match appropriate filter to the application
- Compact and Standard filters come with a quick-release bowl guard
- Extensive range (3 filtration rates, 4 different types of drains, 2 pressure scales) to cover most needs



F133 Purifying Filter Unit

F133 Standard

Purifying Filter Features

- Purifying filters work with hygroscopic Silica Gel technology to improve air quality in special applications
- Bowl guard with quick-release mechanism for easy access
- Durable aluminum body for resilience in aggressive environments



Series	NPT	Legris
Standard	*	F133 00 00 4
Standard	1/4	F133 00 14 4
Standard	3/8	F133 00 18 4
Standard	1/2	F133 00 22 4
Standard	3/4	F133 00 28 4
Standard	1	F133 00 35 4

* Part number without endplates — delivered with joining elements.

Technical Specifications:

Fluid: Compressed air

Working pressure: 0–150 psi

Working temperature: 32–150°F

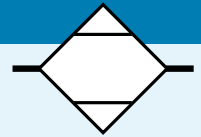
Installation position: Vertical, with bowl below

Materials of construction:

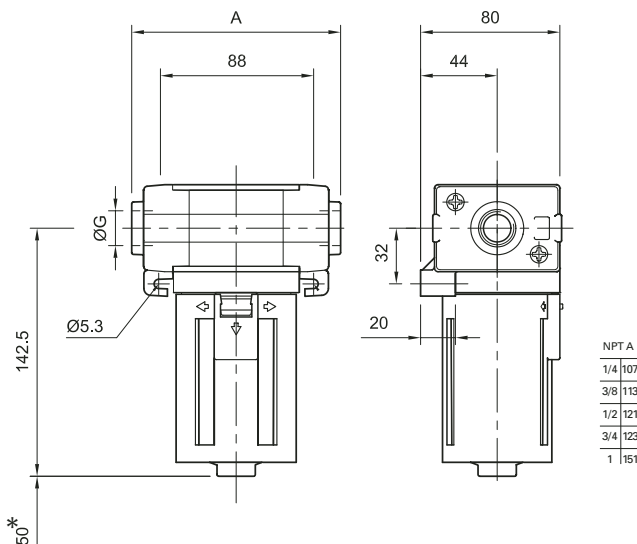
Body: Metal – Aluminum
 Transparent bowl: Plastic – Polycarbonate
 Bowl guard: Plastic – Acetal Resin
 Optional: Metal – Zamac
 O-ring: Nitrile

For optimal performance:

Use a 5µ filter before and after the purifying filter



Measurements



*Required space for bowl guard removal.

- Compact, space-saving design
- High flow characteristics
- Lightweight, robust
- Aesthetic look
- Modular
- Panel mountable

F141, F142, F143 Coalescing Filter Unit

Sub-micronic Filters



F141 Miniature

F142 Compact

F143 Standard

Coalescing Filter Features

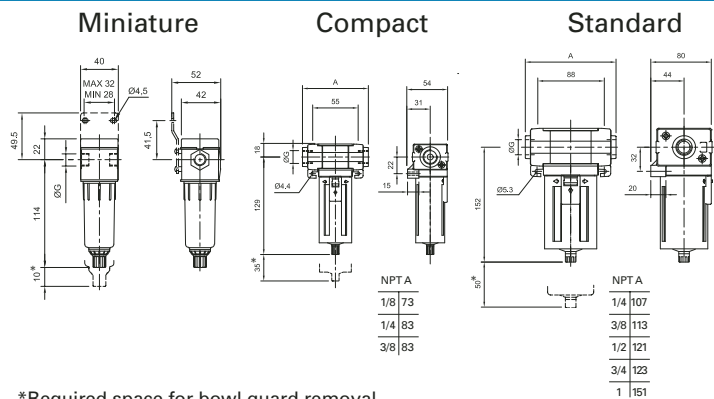
- High efficiency oil and particle removal for very finely filtered air
Particle removal: 0.01µm
- Bowl guard with quick-release mechanism for easy access
- Wide range of port sizes to match prior installation requirements



Series	NPT	Legris
Miniature	1/8	F141 M1 11 4
Miniature	1/4	F141 M1 14 4
Compact	*	F142 M1 00 4
Compact	1/8	F142 M1 11 4
Compact	1/4	F142 M1 14 4
Compact	3/8	F142 M1 18 4
Standard	*	F143 M1 00 4
Standard	1/4	F143 M1 14 4
Standard	3/8	F143 M1 18 4
Standard	1/2	F143 M1 22 4
Standard	3/4	F143 M1 28 4
Standard	1	F143 M1 35 4

* Part number without endplates — delivered with joining elements.
Default configuration with manual drain.
Optional: semi-automatic (when depressurized).

Measurements



*Required space for bowl guard removal.

Technical Specifications:

Fluid: Compressed air

Working pressure: 0–150 psi

Working temperature: 35–122°F

Installation position: Vertical, with bowl below

Materials of construction:

Body:

Miniature range: Plastic with Metal insert

Compact & Standard range: Metal – Aluminum

Transparent bowl: Plastic – Polycarbonate

Bowl guard:

Compact & Standard range: Plastic – Acetal Resin

Optional: Metal – Zamac

O-ring: Nitrile

Nominal flow:

At 87 psi, ΔP = 1.5 psi

Miniature: 4.4 scfm

Compact: 7.7 scfm

Standard: 20.7 scfm

Pressure drop:

1 psi with new filtering cartridge

4.3 psi with saturated filtering cartridge

For optimal performance:

It is recommended to install a 5µ filter before a coalescing filter



F151, F152, F153 Activated Carbon Filters

F151 Miniature

F152 Compact

F153 Standard

Activated Carbon Filter Features

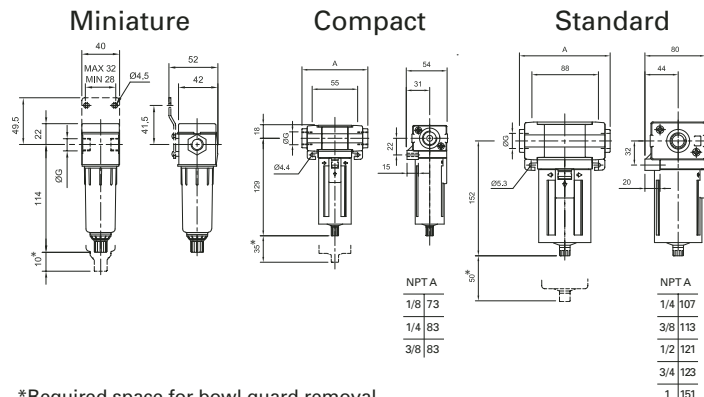
- Activated carbon filters remove gaseous contaminants such as oil vapor or odors
- Bowl guard with quick-release mechanism for easy access
- Wide range of port sizes to match prior installation requirements



Series	NPT	Legris
Miniature	1/8	F151 M0 11 4
Miniature	1/4	F151 M0 14 4
Compact	*	F152 M0 00 4
Compact	1/8	F152 M0 11 4
Compact	1/4	F152 M0 14 4
Compact	3/8	F152 M0 18 4
Standard	*	F153 M0 00 4
Standard	1/4	F153 M0 14 4
Standard	3/8	F153 M0 18 4
Standard	1/2	F153 M0 22 4
Standard	3/4	F153 M0 28 4
Standard	1	F153 M0 35 4

*Part number without endplates are delivered with joining elements.
 Default configuration with manual drain.
 Optional: semi-automatic (when depressurized).

Measurements



*Required space for bowl guard removal.

Technical Specifications:

Fluid: Compressed air

Working pressure: 0–150 psi

Working temperature: 35°–122°F

Installation position: Vertical, with bowl below

Materials of construction:

Body:

Miniature range: Plastic with Metal Insert

Compact and Standard range: Metal – Aluminum

Transparent bowl: Plastic – Polycarbonate

Bowl guard:

Compact and Standard range: Plastic – Acetal Resin

Optional: Metal – Zamac

O-ring: Nitrile

Nominal flow:

At 87 psi, $\Delta P = 1.5$ psi

Miniature: 4.4 scfm

Compact: 7.7 scfm

Standard: 20.7 scfm

Pressure drop:

1 psi with new filtering cartridge

4.3 psi with saturated filtering cartridge

For optimal performance:

Use a coalescing filter and a 5 μ filter before an activated carbon filter



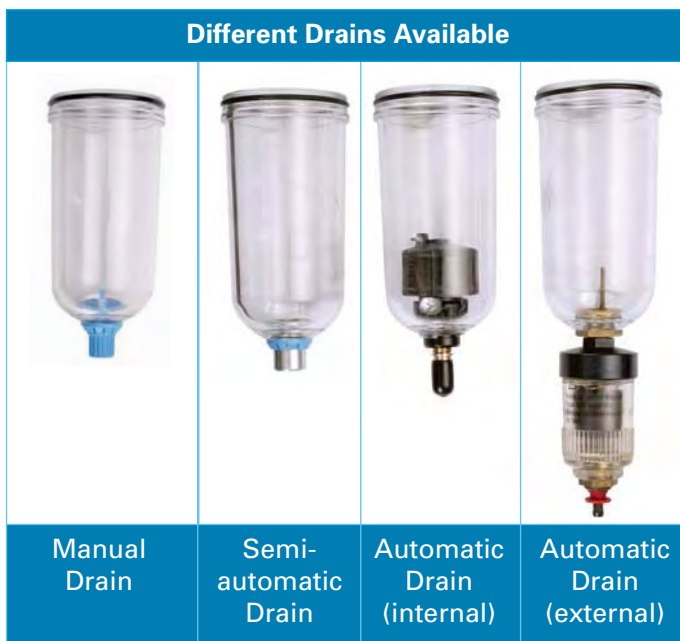
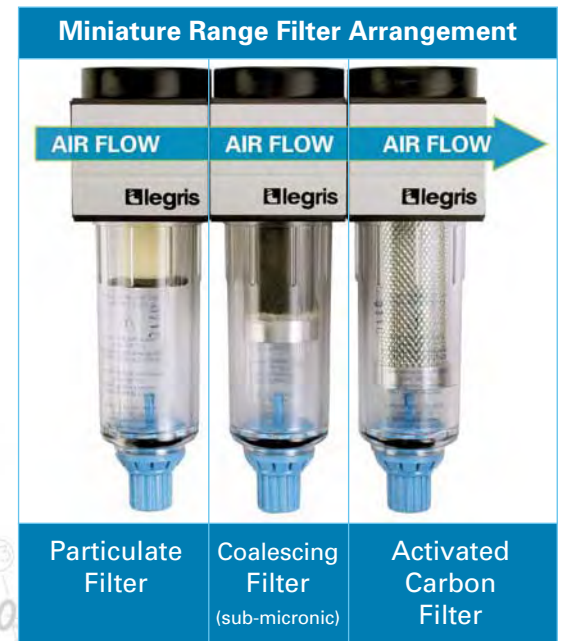
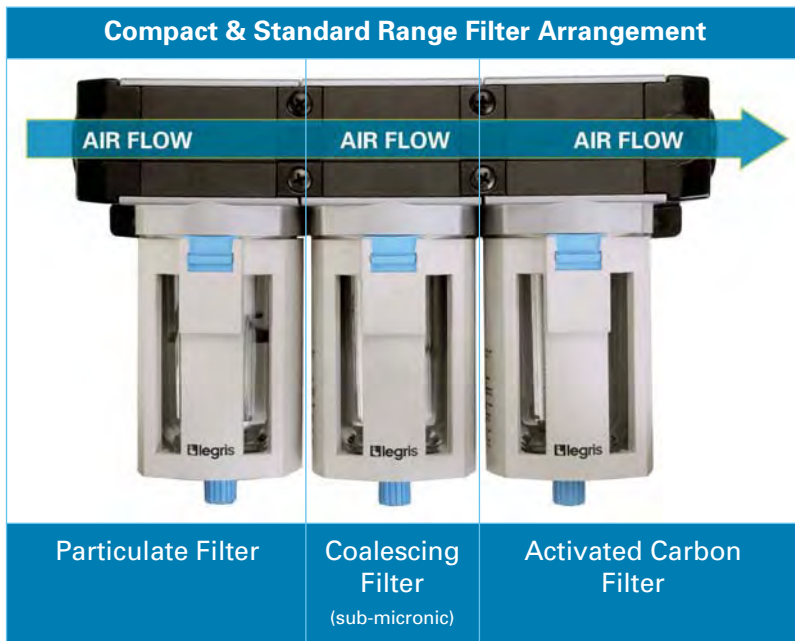
Arrangement for Optimum Performance

The performance of a modular filtering unit depends on the arrangement of the different filter types.

The filtering should always be carried out gradually from bigger particles to smaller particles. Failure to do so drastically reduces the life of the elements.

The filter for bigger particles – the 40µ filter – must be placed first, followed by the 5µ filter, then by the sub-micronic filters, and finally by the activated carbon filter.

The correct placement of the filtering units will guarantee optimal filtering performance and ensure the maximum element life.



Series	Type of Drain	Legris
Miniature	Manual	F991 03 01
Miniature	Semi-automatic	F991 03 02
Compact	Manual	F992 06 02
Compact	Semi-automatic	F992 06 01
Compact	External Automatic	F992 06 03
Standard	Manual	F993 09 02
Standard	Semi-automatic	F993 09 01
Standard	External Automatic	F993 09 07
Standard	Internal Automatic	F993 09 06



F021 Miniature

F022 Compact

F023 Standard

Regulator Features

- Relieving-type regulator protects air equipment from over pressure
- Push-to-lock adjusting knob prevents unwanted adjustment
- Extensive range of product choices to cover most pressure regulation needs



Normal Working Pressure

Series	NPT	In-line	Panel Mount	Metal
Miniature	1/8	F021 00 11 3	F021 01 11 3	F021 02 11 3
Miniature	1/4	F021 00 14 3	F021 01 14 3	F021 02 14 3
Compact	1/8	F022 00 11 4	F022 01 11 4	—
Compact	1/4	F022 00 14 4	F022 01 14 4	—
Compact	3/8	F022 00 18 4	F022 01 18 4	—
Standard	1/4	F023 00 14 4	F023 01 14 4	—
Standard	3/8	F023 00 18 4	F023 01 18 4	—
Standard	1/2	F023 00 22 4	F023 01 22 4	—
Standard	3/4	F023 00 28 4	F023 01 28 4	—
Standard	1	F023 00 35 4	F023 01 35 4	—

Low Working Pressure

Series	NPT	In-line	Panel Mount	Metal
Miniature	1/8	F021 00 11 2	F021 01 11 2	F021 02 11 2
Miniature	1/4	F021 00 14 2	F021 01 14 2	F021 02 14 2
Compact	*	F022 00 00 1	F022 01 00 1	—
Standard	*	F023 00 00 1	F023 01 00 1	—

High Working Pressure

Series	NPT	In-line	Panel Mount
Compact	*	F022 00 00 5	F022 01 00 5
Standard	*	F023 00 00 5	F023 01 00 5

*Only the metal versions are delivered without gauge.

Gauge

Series	Gauge pressure scale	In-line	Panel Mount
Miniature	low pressure 0–58 psi	Ø40 - R1/8 F980 02 01	Ø50 - R1/8 F980 05 01
	normal pressure 0–232 psi	F980 02 02	F980 05 02
Compact	low pressure 0–58 psi	Ø40 - R1/8 F980 02 01	Ø50 - R1/8 F980 05 01
	normal pressure 0–232 psi	F980 02 02	F980 05 02
	high pressure 0–290 psi	F980 02 03	F980 05 03
Standard	low pressure 0–58 psi	Ø50 - G1/4 F980 04 01	Ø50 - R1/8 F980 05 01
	normal pressure 0–232 psi	F980 04 02	F980 05 02
	high pressure 0–290 psi	F980 04 03	F980 05 03

Technical Specifications:

Fluid: Compressed air

Normal Working Pressure:

Miniature range: 8–116 psi
Compact & Standard range: 8–145 psi

Low Working Pressure:

Miniature range: 8–58 psi
Compact & Standard range: 8–36 psi

High Working Pressure:

Compact & Standard range: 8–232 psi

Working temperature:

Miniature range: 32–122°F
Compact & Standard range: 32–150°F

Mounting:

In-line or panel mounting
Miniature: Ø40 - R1/8, Ø50 - R1/8
Compact: Ø40 - R1/8, Ø50 - R1/8
Standard: Ø50 - G1/4, Ø50 - R1/8

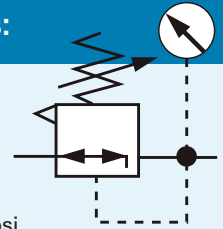
Hole Ø for the panel mounting of the regulator:

Miniature: 1.22 inch
Compact: 1.34 inch
Standard: 2.09 inch

Panel mounting hole for the gauge: 2.13 inch

Materials of construction:

Body:
Miniature range: Plastic with Metal Insert
Compact & Standard range: Metal – Aluminum
O-ring: Nitrile



Lockable regulator hand wheel available for Compact & Standard range (9 at the end of the part #)





LUBRICATOR

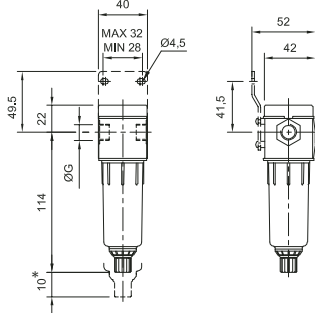
F031, F032, F033 Lubricator Unit

Measurements & Flow Characteristics

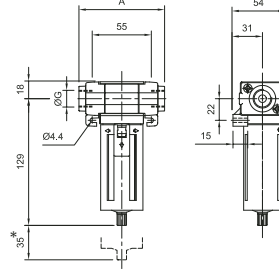
Measurements

*Required space for bowl guard removal.

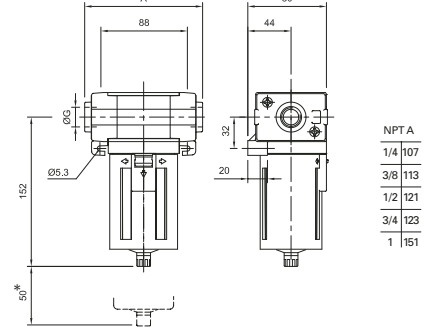
Miniature



Compact



Standard

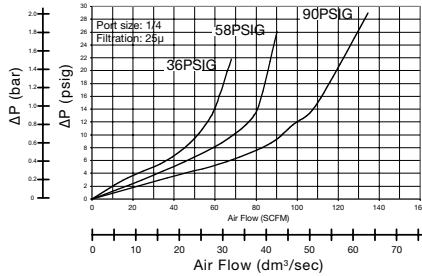


NPT A
1/8 73
1/4 83
3/8 83

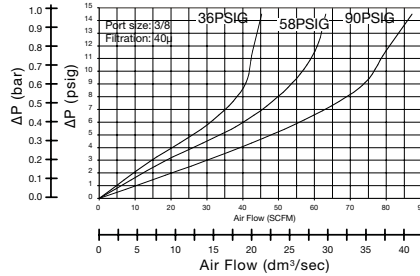
NPT A
1/4 107
3/8 113
1/2 121
3/4 123
1 151

Flow Characteristics

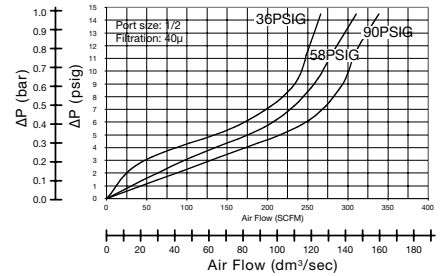
L Miniature



L Compact



L Standard



Selecting Products & Interpreting Part Numbers

Product Series				Thread		Working Pressure		Bowl Guard	
F	0	3	—	—	—	—	—	—	—
Miniature	1			0	0	0-150 psi	4	-	Plastic (compact/standard)
Compact	2			1	1	0-232 psi*	5	5	Metal (compact/standard)
Standard	3			1	4				
				1	8				
				2	2				
				2	8				
				3	5				

Product Series & Part Number Range		
Series	NPT	Legris
Miniature	1/8	F031 00 11 4
Miniature	1/4	F031 00 14 4
Compact	1/8	F032 00 11 4
Compact	1/4	F032 00 14 4
Compact	3/8	F032 00 18 4
Standard	1/4	F033 00 14 4

Example Part Number Translation			
F	0	3	2
Compact			
		0	0
		1	4
NPT 1/4			
		4	-
0-150 psi plastic			

*Pressure up to 232 psi for Compact & Standard range only with the metal bowl guard.

F031, F032, F033 Lubricator Unit

Miniature, Compact & Standard Ranges



F031 Miniature



F032 Compact



F033 Standard



Series	NPT	Legris
Miniature	1/8	F031 00 11 4
Miniature	1/4	F031 00 14 4
Compact	1/8	F032 00 11 4
Compact	1/4	F032 00 14 4
Compact	3/8	F032 00 18 4
Standard	1/4	F033 00 14 4
Standard	3/8	F033 00 18 4
Standard	1/2	F033 00 22 4
Standard	3/4	F033 00 28 4
Standard	1	F033 00 35 4

Technical Specifications:

Fluid: Compressed air

Working pressure:

Miniature range: 0–150 psi

Compact & Standard range: 0–150 psi

(Optional: 0–232 psi with metal bowl guard only)

Working temperature:

Miniature range: 32–122°F

Compact & standard range: 32–150°F

Oil capacity:

Miniature range: 1.18 oz.

Compact range: 1.3 oz.*

Standard range: 4.4 oz.*

*Can be refilled while pressurized by pressing relief valve.

Recommended oil: ISO VG32 – SAE 10

Installation position: Vertical, with bowl below

Materials of construction:

Body:

Miniature: Plastic with Metal Insert

Compact & Standard: Metal – Aluminum

Transparent bowl: Plastic – Polycarbonate

Bowl guard:

Compact & Standard: Plastic – Acetal Resin

O-ring: Nitrile

- Fog style lubrication to reduce wear and extend life of equipment
- Design allows refilling of oil without the need to shut down system
- Convenient adjustment knob for easy oil delivery regulation



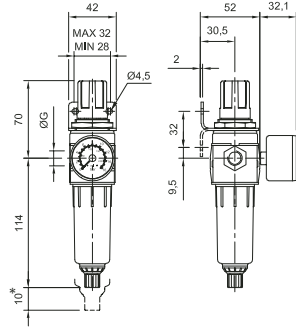
F041, F042, F043 Filter Regulator Unit, "Piggyback Style"

Measurements & Flow Characteristics

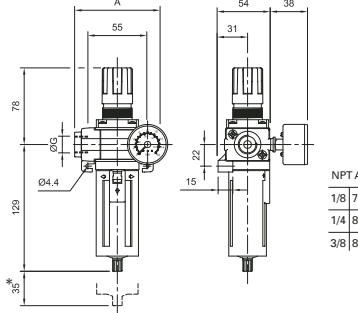
Measurements

*Required space for bowl guard removal.

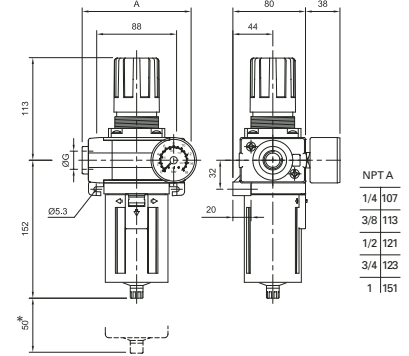
Miniature



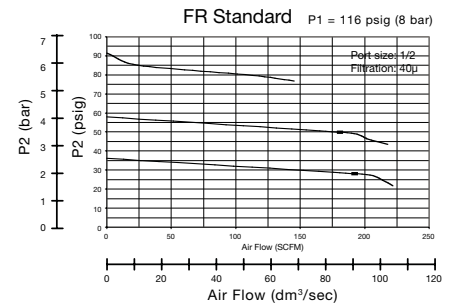
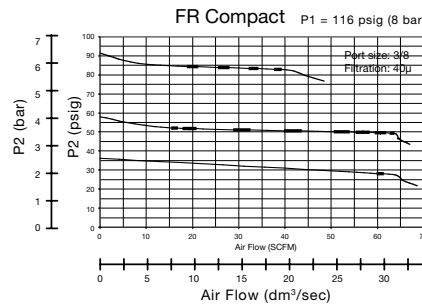
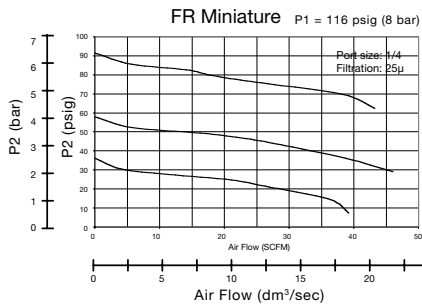
Compact



Standard



Flow Characteristics



Selecting Products & Interpreting Part Numbers

Product Series	Type of Drain	Filtration Rate	Thread	Working Pressure	Knob & Bowl Guard
F 0 4	—	—	—	—	—
Miniature	1 Manual	M 2 5 microns	0 0 Without Endplates (compact/standard)	8-36 psi (compact/standard)	1 - Standard Knob & Plastic Bowl Guard (compact/standard)
Compact	2 Semi-automatic	E 3 25 microns (miniature)	1 1 NPT 1/8 (miniature/compact)	8-58 psi (miniature)	2 5 Standard Knob & Metal Bowl Guard (compact/standard)
Standard	3 Automatic Internal (standard)	A 5 40 microns (compact/standard)	1 4 NPT 1/4	8-116 psi (miniature)	3 6 Lockable Knob & Metal Bowl Guard (compact/standard)
			1 8 NPT 3/8 (compact/standard)	8-145 psi (compact/standard)	4 9 Lockable Knob & Plastic Bowl Guard (compact/standard)
			2 2 NPT 1/2 (standard)	8-232 psi*	
			2 8 NPT 3/4 (standard)		
			3 5 NPT 1 (standard)		

Product Series & Part Number Range

Series	NPT	Fine Filtration 5µ	Normal Filtration*
Miniature	1/8	F041 M2 11 3	F041 M3 11 3
Miniature	1/4	F041 M2 14 3	F041 M3 14 3
Compact	1/8	F042 M2 11 4	F042 M5 11 4
Compact	1/4	F042 M2 14 4	F042 M5 14 4
Compact	3/8	F042 M2 18 4	F042 M5 18 4
Standard	1/4	F043 M2 14 4	F043 M5 14 4

Example Part Number Translation

F 0 4 2	M 2	1 4	4 -
Compact	Manual 5 microns	NPT 1/4	0-150 psi Plastic

*Pressure up to 232 psi for Compact & Standard range only with the metal bowl guard.

F041, F042, F043 Filter Regulator Unit, "Piggyback Style"

Miniature, Compact & Standard Ranges



F041 Miniature

F042 Compact

F043 Standard

Filter Regulator Features

- Piggyback construction saves space and offers design flexibility
- Extensive range of working pressure capabilities to match application requirements
- Piston operated design in high-pressure units for greater durability



Series	NPT	Fine Filtration 5µ	Normal Filtration*
Miniature	1/8	F041 M2 11 3	F041 M3 11 3
Miniature	1/4	F041 M2 14 3	F041 M3 14 3
Compact	1/8	F042 M2 11 4	F042 M5 11 4
Compact	1/4	F042 M2 14 4	F042 M5 14 4
Compact	3/8	F042 M2 18 4	F042 M5 18 4
Standard	1/4	F043 M2 14 4	F043 M5 14 4
Standard	3/8	F043 M2 18 4	F043 M5 18 4
Standard	1/2	F043 M2 22 4	F043 M5 22 4
Standard	3/4	F043 M2 28 4	F043 M5 28 4
Standard	1	F043 M2 35 4	F043 M5 35 4

Low Working Pressure

Series	NPT	5µ Filtration	Normal Filtration*
Miniature	1/8	F041 M2 11 2	F041 M3 11 2
Miniature	1/4	F041 M2 14 2	F041 M3 14 2
Compact	**	F042 M2 00 1	F042 M5 00 1
Standard	**	F043 M2 00 1	F043 M5 00 1

High Working Pressure

Series	NPT	5µ Filtration	Normal Filtration*
Compact	**	F042 M2 00 5	F042 M5 00 5
Standard	**	F043 M2 00 5	F043 M5 00 5

* 25µ for Miniature & 40µ for Compact & Standard.

Technical Specifications:

Fluid: Compressed air

Normal Working Pressure:

Miniature range: 8–116 psi
Compact & Standard range: 8–145 psi

Low Working Pressure:

Miniature range: 8–58 psi
Compact & Standard range: 8–36 psi

High Working Pressure:

Compact & Standard range: 8–232 psi

Working temperature:

Miniature range: 32–122°F
Compact & Standard range: 32–150°F

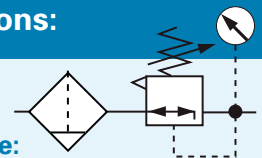
Condensate capacity:

Miniature range: 0.74 oz.
Compact range: 0.85 oz.
Standard range: 2.2 oz.

Installation position: Vertical, with bowl below

Materials of construction:

Body:
Miniature: Plastic with Metal Insert
Compact & Standard: Metal – Aluminum
Transparent Bowl: Plastic – Polycarbonate
Bowl Guard:
Compact & Standard: Plastic – Acetal Resin
Optional: Metal – Zamac
Filtering Element: Porous Plastic – Polypropylene
O-ring: Nitrile



Using the regulator with the lowest rated pressure that will fit your application increases the precision of the control of output air pressure.



F051, F052, F053 — Filter Regulator + Lubricator Unit

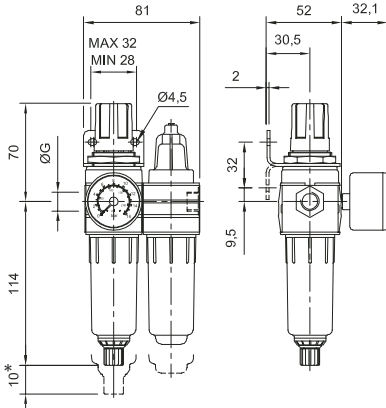
Measurements & Flow Characteristics

FILTER
REGULATOR
+LUBRICATOR

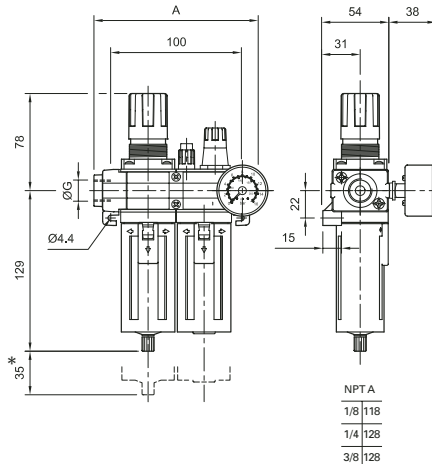
Measurements

*Required space for bowl guard removal.

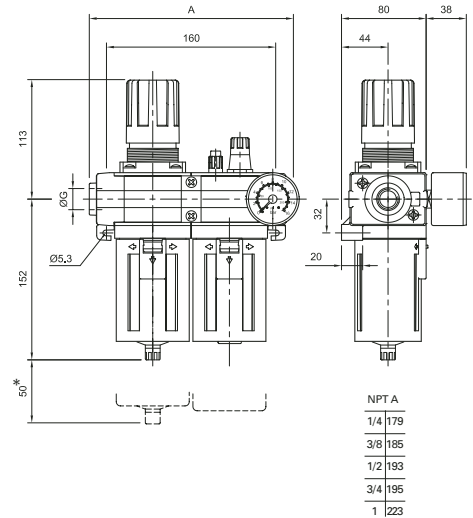
Miniature



Compact



Standard



Selecting Products & Interpreting Part Numbers

Product Series		Type of Drain	Filtration Rate	Thread	Working Pressure	Knob & Bowl Guard
F 0 5	—	—	—	—	—	—
Miniature	1	Manual	M 2 5 microns	0 0 Without Endplates (compact/standard)	8-36 psi (compact/standard)	1 - Standard Knob & Plastic Bowl Guard (compact/standard)
Compact	2	Semi-automatic	E 3 25 microns (miniature)	1 1 NPT 1/8 (miniature/compact)	8-58 psi (miniature)	2 5 Standard Knob & Metal Bowl Guard (compact/standard)
Standard	3	Automatic Internal (standard)	A 5 40 microns (compact/standard)	1 4 NPT 1/4	8-116 psi (miniature)	3 6 Lockable Knob & Metal Bowl Guard (compact/standard)
		Automatic External (compact/standard)	D	1 8 NPT 3/8 (compact/standard)	8-145 psi (compact/standard)	4 6 Lockable Knob & Metal Bowl Guard (compact/standard)
				2 2 NPT 1/2 (standard)	8-232 psi*	5 9 Lockable Knob & Plastic Bowl Guard (compact/standard)
				2 8 NPT 3/4 (standard)		
				3 5 NPT 1 (standard)		

Product Series & Part Number Range

Series	NPT	Fine Filtration 5µ	Normal Filtration*
Miniature	1/8	F051 M2 11 3	F051 M3 11 3
Miniature	1/4	F051 M2 14 3	F051 M3 14 3
Compact	1/8	F052 M2 11 4	F052 M5 11 4
Compact	1/4	F052 M2 14 4	F052 M5 14 4
Compact	3/8	F052 M2 18 4	F052 M5 18 4
Standard	1/4	F053 M2 14 4	F053 M5 14 4

Example Part Number Translation

F 0 5 2		M 2		1 4		4	-
Compact		manual 5 microns		NPT 1/4		0-150 psi plastic	

*Pressure up to 232 psi for Compact & Standard range only with the metal bowl guard.



F051, F052, F053 — Filter Regulator + Lubricator Unit

Miniature, Compact & Standard Ranges

F051 Miniature

F052 Compact

F053 Standard

Filter Regulator

+ Lubricator Features

- Space-saving design
- Easily exchangeable filter elements for reduced maintenance
- Push-to-lock adjusting knob prevents unwanted adjustment
- Piston operated design in high-pressure units for greater durability



Series	NPT	Fine Filtration 5 μ	Normal Filtration*
Miniature	1/8	F051 M2 11 3	F051 M3 11 3
Miniature	1/4	F051 M2 14 3	F051 M3 14 3
Compact	1/8	F052 M2 11 4	F052 M5 11 4
Compact	1/4	F052 M2 14 4	F052 M5 14 4
Compact	3/8	F052 M2 18 4	F052 M5 18 4
Standard	1/4	F053 M2 14 4	F053 M5 14 4
Standard	3/8	F053 M2 18 4	F053 M5 18 4
Standard	1/2	F053 M2 22 4	F053 M5 22 4
Standard	3/4	F053 M2 28 4	F053 M5 28 4
Standard	1	F053 M2 35 4	F053 M5 35 4

Low Working Pressure

Series	NPT	5 μ Filtration	Normal Filtration*
Miniature	1/8	F051 M2 11 2	F051 M3 11 2
Miniature	1/4	F051 M2 14 2	F051 M3 14 2
Compact	**	F052 M2 00 1	F052 M5 00 1
Standard	**	F053 M2 00 1	F053 M5 00 1

* 25 μ for Miniature & 40 μ for Compact & Standard.

Technical Specifications:

Fluid: Compressed air

Working pressure:

Miniature range: 8–116 psi (Optional: 8–58 psi)
 Compact & Standard range: 8–145 psi
 (Optional: 8–36 psi & 8–232 psi with metal bowl guard only)

Working temperature:

Miniature range: 32–122°F
 Compact & standard range: 32–150°F

Condensate capacity:

Miniature range: 0.74 oz.
 Compact range: 0.85 oz.
 Standard range: 2.2 oz.

Oil capacity:

Miniature range: 1.18 oz.
 Compact range: 1.3 oz.*
 Standard range: 4.4 oz.*

*Can be refilled while pressurized by pressing relief valve.

Recommended oil: ISO VG32 – SAE 10

Installation position: Vertical, with bowl below

Materials of construction:

Body:

Miniature: Plastic with Metal Insert
 Compact & Standard: Metal – Aluminum

Transparent Bowl: Plastic – Polycarbonate

Bowl Guard:

Compact & Standard: Plastic – Acetal Resin
 Optional: Metal – Zamac

Filtering Element: Porous Plastic – Polypropylene

O-ring: Nitrile





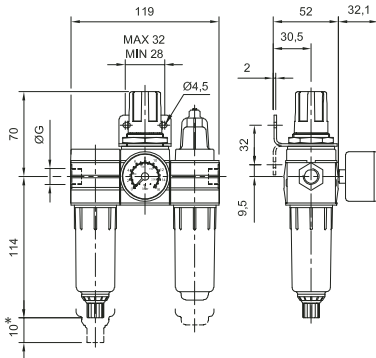
F061, F062, F063 — Filter + Regulator + Lubricator Unit

Measurements & Flow Characteristics

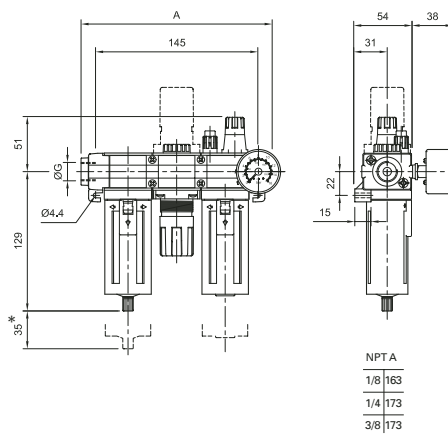
Measurements

*Required space for bowl guard removal.

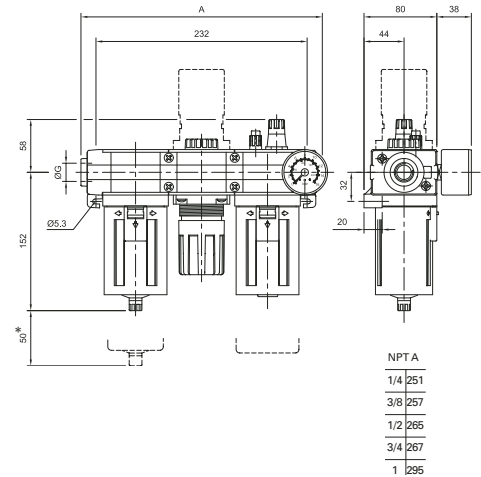
Miniature



Compact



Standard



Selecting Products & Interpreting Part Numbers

Product Series	Type of Drain	Filtration Rate	Thread	Working Pressure	Knob & Bowl Guard
F 0 6 —	—	—	—	—	—
Miniature 1	Manual	M 2 5 microns	0 0 Eithout Endplates (compact/standard)	8-36 psi (compact/standard)	1 - Standard Knob & Plastic Bowl Guard (compact/standard)
Compact 2	Semi-automatic	E 3 25 microns (miniature)	1 1 NPT 1/8 (miniature/compact)	8-58 psi (miniature)	2 5 Standard Knob & Metal Bowl Guard (compact/standard)
Standard 3	Automatic Internal (standard)	A 5 40 microns (compact/standard)	1 4 NPT 1/4	8-116 psi (miniature)	3 6 Lockable Knob & Metal Bowl Guard (compact/standard)
	Automatic External (compact/standard)	D	1 8 NPT 3/8 (compact/standard)	8-145 psi (compact/standard)	4 6 Lockable Knob & Metal Bowl Guard (compact/standard)
			2 2 NPT 1/2 (standard)	8-232 psi*	5 9 Lockable Knob & Plastic Bowl Guard (compact/standard)
			2 8 NPT 3/4 (standard)		
			3 5 NPT 1 (standard)		

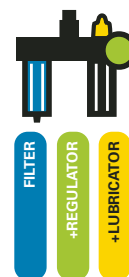
Product Series & Part Number Range

Series	C NPT	Normal Filtration*
Miniature	1/8	F061 M3 11 4
Miniature	1/4	F061 M3 14 4
Compact	1/8	F062 M5 11 4
Compact	1/4	F062 M5 14 4
Compact	3/8	F062 M5 18 4
Standard	1/4	F063 M5 14 4

Example Part Number Translation

F 0 6	2	M 5	1 4	4	-
Compact		Manual 40 microns	NPT 1/4	0-150 psi	Plastic

*Pressure up to 232 psi for Compact & Standard range only with the metal bowl guard.



F061, F062, F063 — Filter + Regulator + Lubricator Unit

Miniature, Compact & Standard Ranges

F061 Miniature

F062 Compact

F063 Standard



Series	NPT	Normal Filtration*
Miniature	1/8	F061 M3 11 3
Miniature	1/4	F061 M3 14 3
Compact	1/8	F062 M5 11 4
Compact	1/4	F062 M5 14 4
Compact	3/8	F062 M5 18 4
Standard	1/4	F063 M5 14 4
Standard	3/8	F063 M5 18 4
Standard	1/2	F063 M5 22 4
Standard	3/4	F063 M5 28 4
Standard	1	F063 M5 35 4

* 25µ for Miniature & 40µ for Compact & Standard.

- Modular design of all 3 functions eases individual component maintenance
- Quick-release bowl guard makes exchanging elements easy
- Push-to-lock pressure adjustment knob prevents unwanted adjustment
- Piston operated design in high-pressure units for greater durability

Technical Specifications:

Fluid: Compressed air

Working pressure:

Miniature range: 8–116 psi (Optional: 8–58 psi)
Compact & Standard range: 8–145 psi
(Optional: 8–36 psi & 8–232 psi with metal bowl guard only)

Working temperature:

Miniature range: 32–122°F
Compact & Standard range: 32–150°F

Condensate capacity:

Miniature range: 0.74 oz.
Compact range: 0.85 oz.
Standard range: 2.2 oz.

Oil capacity:

Miniature range: 1.18 oz.
Compact range: 1.3 oz.*
Standard range: 4.4 oz.*

*Can be refilled while pressurized by pressing relief valve.

Recommended oil: ISO VG32 – SAE 10

Installation position: Vertical, with bowl below

Materials of construction:

Body:

Miniature: Plastic with Metal Insert
Compact & Standard: Metal – Aluminum

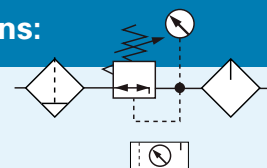
Transparent Bowl: Plastic – Polycarbonate

Bowl Guard:

Compact & Standard: Plastic – Acetal Resin
Optional: Metal – Zamac

Filtering Element: Porous Plastic – Polypropylene

O-ring: Nitrile



F071, F072, F073 Diverter Block

F071 Miniature

F072 Compact

F073 Standard

Diverter Block Features

- Pneumatic manifold provides air outlets between FRL module components
- Use non-return valve to provide an outlet of dry filtered air between FR & L units, preventing the lubricated air from going into the dry air ducts
- Miniature range provides 2 outlets NPT 1/4, Compact range: 2 x NPT 1/8 and 1 x NPT 1/4, Standard range: 2 x NPT 1/4 and 1 x NPT 1/2

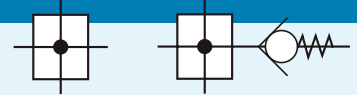


Series	NPT	Normal	With Built-in non return valve
Miniature	*	F071 00 00 4	—
Compact	*	F072 00 00 5	F072 01 00 5
Standard	*	F073 00 00 5	F073 01 00 5

* Part numbers listed include joining elements.

Technical Specifications:

Fluid: Compressed air



Working pressure:

Miniature range: 0–145 psi

Compact & Standard range: 0–232 psi

Working temperature: 32–150°F

Materials of construction: Body: Metal – Aluminum

Outlets:

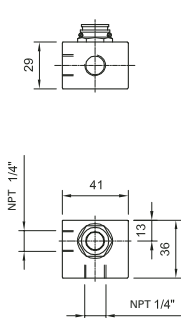
Miniature: 2 x NPT 1/4

Compact: 2 x NPT 1/8 & 1 x NPT 1/4

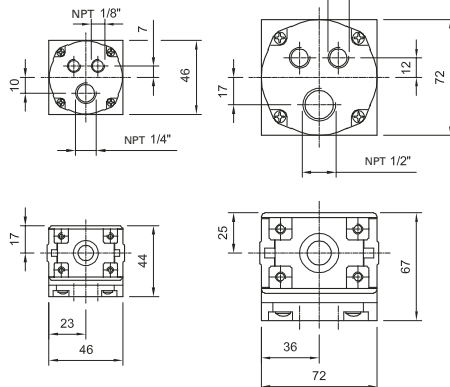
Standard: 2 x NPT 1/4 & 1 x NPT 1/2

Measurements

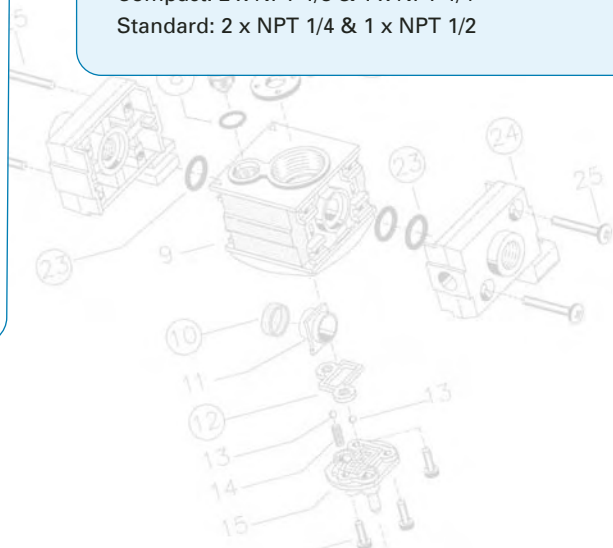
Miniature



Compact



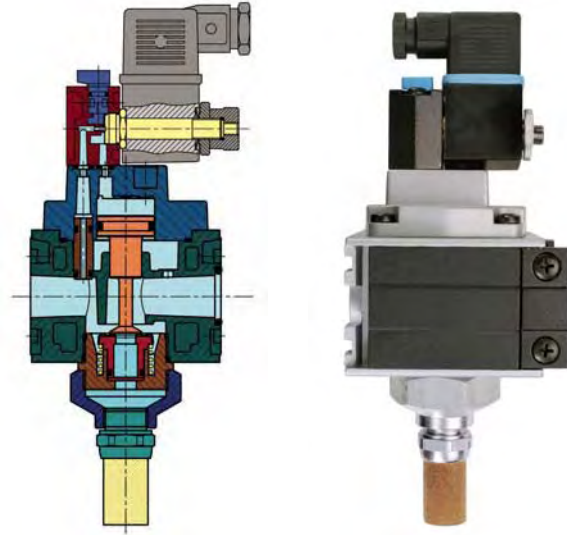
Standard



F083 Standard

Shut-off Valve Features

- 3/2 normally closed valve for pressurization and exhaustion of pneumatic systems
- Replaces the manual valve in applications in which the control of the opening and the closing of the circuit must be carried out from a panel
- Pneumatically or electrically operated



Series	NPT	Actuation	Electrical Version
Standard	*	Pneumatic	F083 00 00 5
Standard	*	Electric 110V60Hz	F083 01 00 41
Standard	*	Electric 24V DC	F083 01 00 42

Other voltage available upon request.

* Part numbers listed include joining elements.

Technical Specifications:

Fluid: Compressed air

Working pressure:

Pneumatic version: 29–232 psi

Electric version: 29–145 psi

Working temperature: 32–122°F

Materials of construction:

Body: Metal – Aluminum

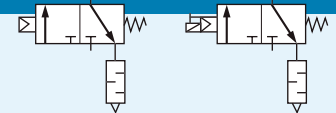
Port size:

Exhaust port size: G3/8, silencer included

Command port size: NPT 1/8" for the pneumatic version

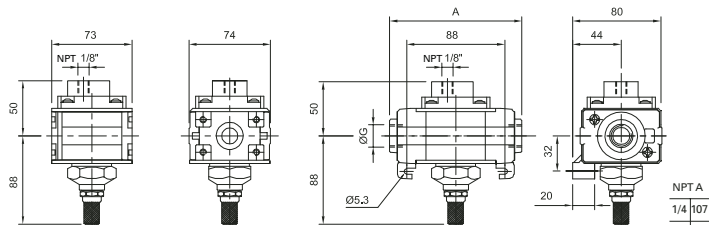
Electrical command:

CNMO standard electric operator with manual override and internal pilot air supply.

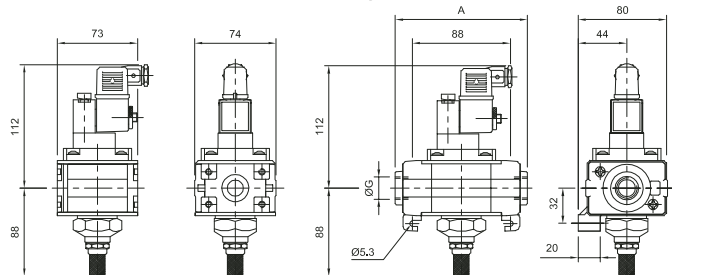


Measurements

Pneumatic operated



Electric operated

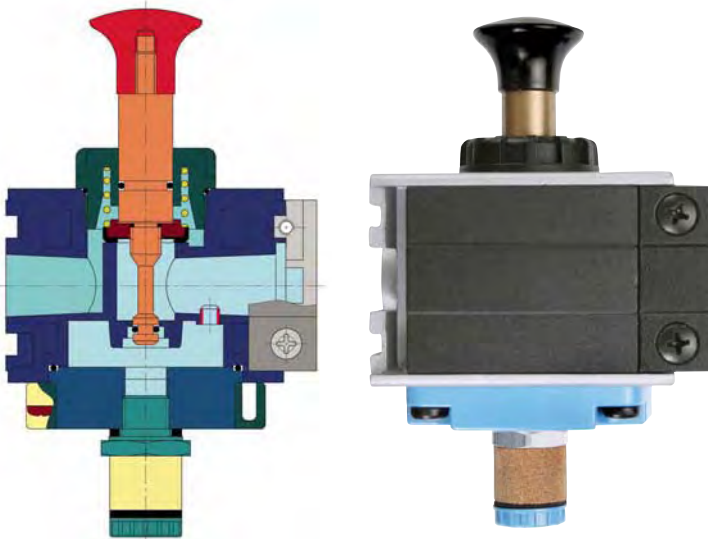


F093 Manual Shut-off Valve

F093 Standard

Manual Shut-off Valve Features

- 3/2 normally closed valve for pressurization and exhaustion of pneumatic systems with manual actuation (up/down knob)
- When used as a safety valve, the shut-off valve exhausts pneumatic systems when line pressure falls below 58 psi, preventing the pneumatic actuators from working at speeds below specification
- Avoids instantaneous machine start upon system pressurization



Series	NPT	Legris
Standard	*	F093 00 00 4

* Part numbers listed include joining elements.

Technical Specifications:

Fluid: Compressed air

Working pressure: 0–145 psi

Working temperature: 32–150°F

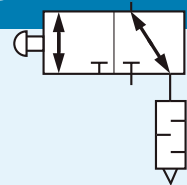
Materials of construction: Body: Metal – Aluminum

Mounting:

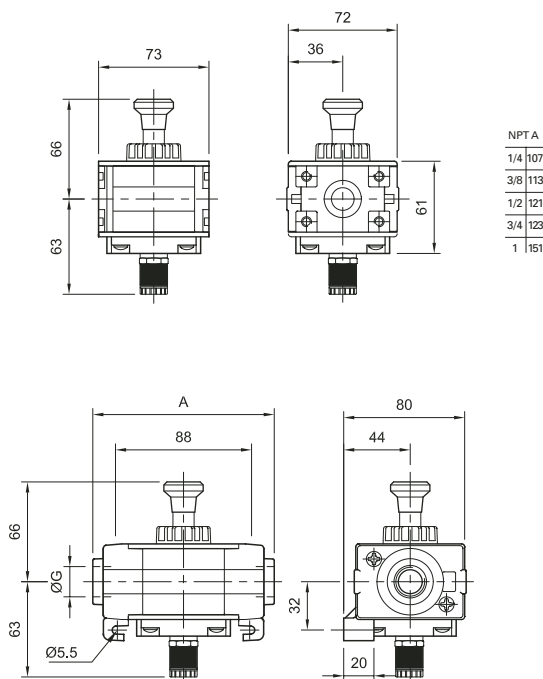
This valve is normally placed before the pressure regulator.

Threshold pressure:

Air supply interrupts when line pressure falls below 58 psi.



Measurements



F092 Compact

F093 Standard

Lockable Manual Shut-off Valve Features

- 3/2 normally closed manual valve used for pressurization and exhaustion of pneumatic systems
- Lockable in the closed position to avoid undesired air flow in the circuit, (i.e., when carrying out maintenance tasks)
- Manually rotating knob with distinct color for easy inspection



Series	NPT	Legris
Compact	*	F092 01 00 4
Standard	*	F093 01 00 4

* Part numbers listed include joining elements.

Technical Specifications:

Fluid: Compressed air

Working pressure: 0–145 psi

Working temperature: 32–150°F

Materials of construction: Body: Metal – Aluminum

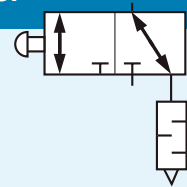
Exhaust port size:

Compact range: G1/8 (Silencer included)

Standard range: G1/4 (Silencer included)

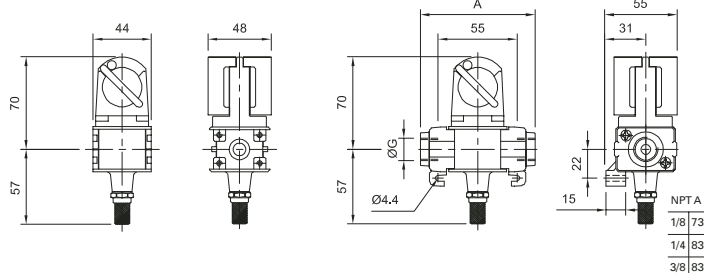
Mounting:

This valve is normally placed before the FRL units. To avoid the exhaust of oily air into the atmosphere, a shut-off and exhaust valve should be placed after the FRL unit.

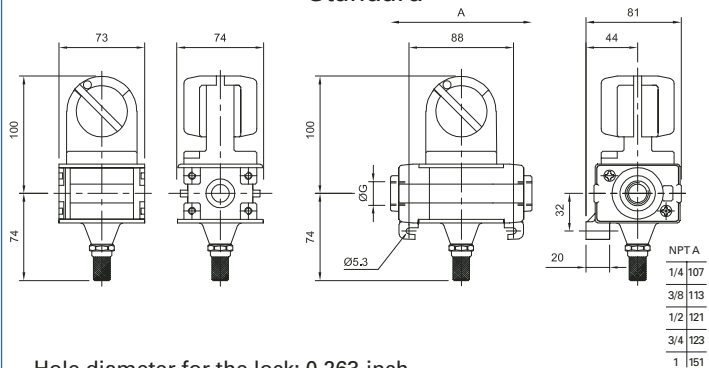


Measurements

Compact



Standard



Hole diameter for the lock: 0.263-inch

3/2 normally closed manual valves help conform to OSHA Lockout Regulation (1910.147) and can be used with a lockout hasp (not included).

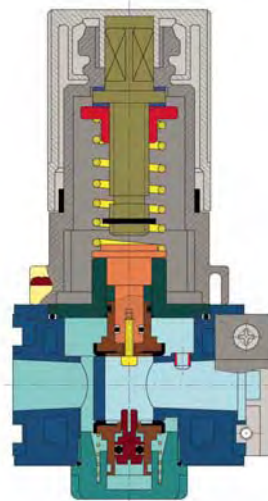


F103 Slow-Start Valve

F103 Standard

Slow-Start Valve Features

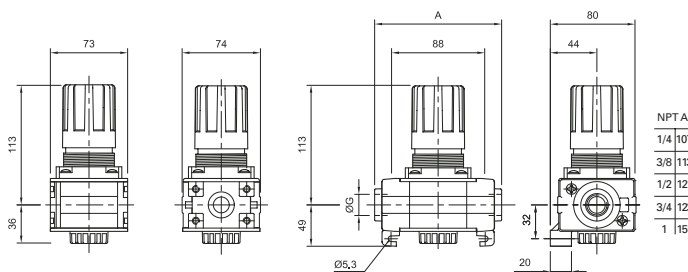
- Slow-Start valve for gradual pressure built-up in pneumatic systems
- Provides smooth and progressive pressurization in the starting operation, guaranteeing the safety of the personal and the pneumatic components
- Avoid the forceful return of the actuator to their initial position after they have been stopped in an intermediate position because of a sudden shut-off of the air supply



Series	NPT	Legris
Standard	*	F103 00 00 4

* Part number without endplates — delivered with joining elements.

Measurements



Technical Specifications:

Fluid: Compressed air

Working pressure: 0–145 psi

Working temperature: 32–150°F

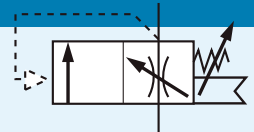
Materials of construction: Body: Metal – Aluminum

Response pressure: Adjustable from 2.5–5 bar

Response time: Adjustable

Mounting:

This element must be placed after an FR unit to insure maximum life of slow-start valve.



C9000 is an innovative safety coupler for pneumatic applications. This coupler's unique two-turn release quickly vents downstream air pressure before disconnecting – preventing serious injuries associated with hose whip.

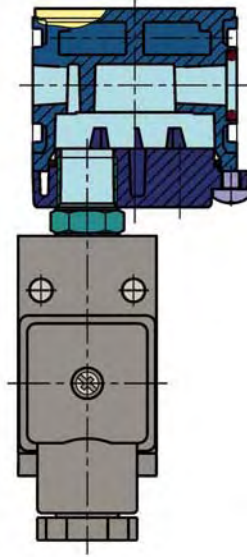
C9000 is used for any application (assembly, construction, aircraft industry, automotive) where safety, durability and performance are demanded.

F112 Compact

F113 Standard

Pressure Switch Module Features

- The pressure switch module emits an electrical signal when pneumatic pressure is present; the switching pressure can be adjusted
- This device enables the detection of failures in the system by sensing pressure drops
- Generates an electric signal when a predetermined pressure is reached for the initiation of automated processes



Series	NPT	Legris
Compact	*	F112 00 00 5
Standard	*	F113 00 00 5

* Part number without endplates — delivered with joining elements.

Technical Specifications:

Fluid: Compressed air

Switching pressure adjustment: 15–232 psi

Working temperature: -13–185°F

Materials of construction: Body: Metal – Aluminum

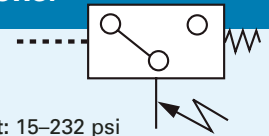
Electrical connection: DIN 43650–A

Protection grade: IP65

Hysteresis: 15...25% (full scale)

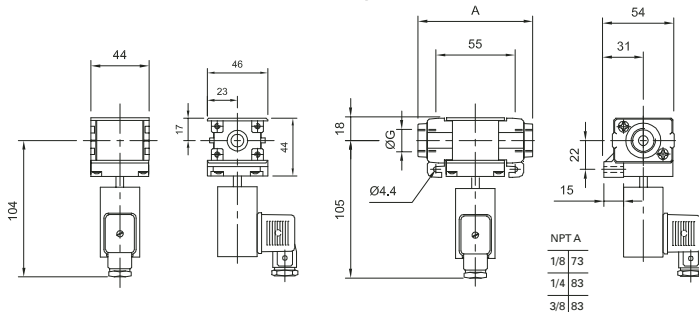
Contact rating: max. 5 A - max. 250 V

Contact power: 600VA / 75 Watt

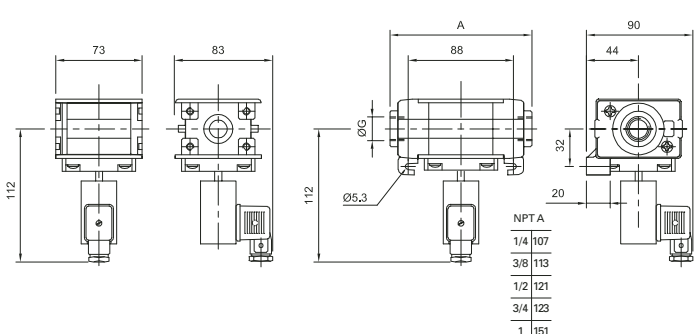


Measurements

Compact



Standard

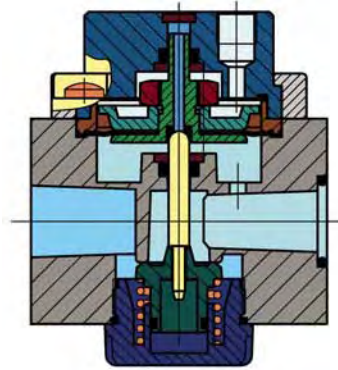


F123 Pilot Operated Pressure Regulators

F123 Standard

Pilot Operated Pressure Regulator Features

- Pilot operated diaphragm pressure regulator valve, with secondary pressure relief
- Replaces standard diaphragm Regulators in those applications in which the pressure regulation must be carried out from a panel
- The relief prevents the secondary pressure from increasing up to a value higher than the regulated pressure



Technical Specifications:

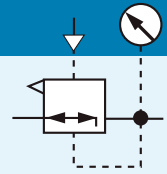
Fluid: Compressed air

Working pressure: 0–145 psi

Working temperature: 32–150°F

Materials of construction: Body: Metal – Aluminum

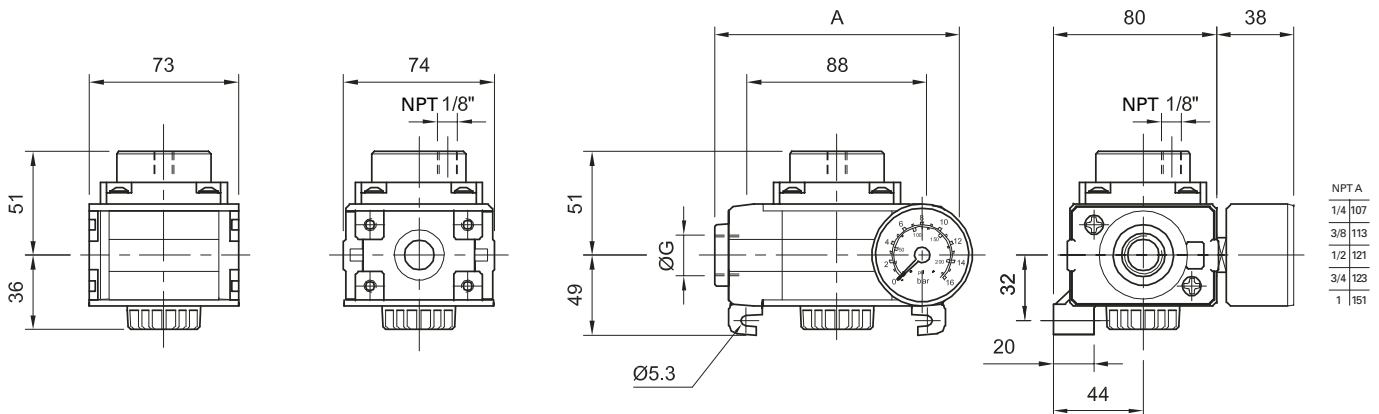
Pilot port size: NPT 1/8




Series	NPT	Legris
Standard	*	F123 00 00 4
Standard	1/4	F123 00 14 4
Standard	3/8	F123 00 18 4
Standard	1/2	F123 00 22 4
Standard	3/4	F123 00 28 4
Standard	1	F123 00 35 4

* Part number without endplates — delivered with joining elements.

Measurements




Mounting Bracket	Series	For R & FR	For F & L
	Miniature	F981 01 01	F981 01 02
	For Compact & Standard range, the fixation holes are integrated in the endplates.		

Endplates	Series	NPT	Legris
	Compact	1/8	F992 01 01
	Compact	1/4	F992 01 02
	Compact	3/8	F992 01 03
	Standard	1/4	F993 01 01
	Standard	3/8	F993 01 02
	Standard	1/2	F993 01 03
	Standard	3/4	F993 01 04
	Standard	1	F993 01 05

Joining Elements	Series	Legris
	Compact	F992 03 01
	Standard	F993 03 01

Bowl Guard	Series	Plastic	Metal
	Compact	F992 07 02	F992 07 03
	Standard	F993 09 04	F993 09 05

Filter Element	Series	Fine Filtration 5µ	Normal Filtration*
	Miniature	F991 02 01	F991 02 02
	Compact	F992 04 01	F992 04 02
	Standard	F993 05 01	F993 05 02
*25µ for Miniature range & 40µ for Compact & Standard range.			



The modular structure of the Compact and Standard units enables a wide variety of combinations, which provide optimal solutions for various applications.

Bowl with Drain

Bowl Features

- Available in manual, semi-automatic, and automatic drain options
- Automatic drain is available with internal or external drain mechanisms



Series	Type of Drain	Legris
Miniature	Manual	F991 03 01
Miniature	Semi-automatic	F991 03 02
Compact	Manual	F992 06 02
Compact	Semi-automatic	F992 06 01
Compact	External Automatic	F992 06 03
Standard	Manual	F993 09 02
Standard	Semi-automatic	F993 09 01
Standard	External Automatic	F993 09 07
Standard	Internal Automatic	F993 09 06

Technical Specifications:

Maximum working pressure:

Internal drain: 22–232 psi
External drain: 22–174 psi

Minimum working pressure:

Internal model drains when depressurized.
22 psi for the internal and external drain (below this pressure, the valve remains open).

Closing flow:

9 scfm for the external drain (below this flow, the valve remains open)

Working temperature:

Internal drain: 32–176°F
External drain: 32–122°F

Installation position:

Vertical (+/- 5°)

Manual command:


Internal drain: Turning drain wheel
External drain: Pressing-up the red ring


Drain tube:


5/32 - 4 mm ID flexible tube

Gauge


Series	Gauge pressure scale	In-line	Panel Mount
Miniature	low pressure 0–58 psi	Ø40–R1/8 F980 02 01	Ø50–R1/8 F980 05 01
	normal pressure 0–232 psi	F980 02 02	F980 05 02
Compact	low pressure 0–58 psi	Ø40–R1/8 F980 02 01	Ø50–R1/8 F980 05 01
	normal pressure 0–232 psi	F980 02 02	F980 05 02
	high pressure 0–290 psi	F980 02 03	F980 05 03
Standard	low pressure 0–58 psi	Ø50–G1/4 F980 04 01	Ø50–R1/8 F980 05 01
	normal pressure 0–232 psi	F980 04 02	F980 05 02
	high pressure 0–290 psi	F980 04 03	F980 05 03

3175 NPT	ØD	NPT	Legris
Male Connector fractional inch tube to male NPT 	5/32	1/8	3175 04 11
	5/32	1/4	3175 04 14
	1/4	1/8	3175 56 11
	1/4	1/4	3175 56 14
	1/4	3/8	3175 56 18
	3/8	1/8	3175 60 11
	3/8	1/4	3175 60 14
	3/8	3/8	3175 60 18
	3/8	1/2	3175 60 22
	1/2	1/4	3175 62 14
	1/2	3/8	3175 62 18
	1/2	1/2	3175 62 22

3175 BSPT	ØD	BSPT	Legris
Male Connector fractional inch tube to male BSPT 	5/32	R1/8	3175 04 10
	5/32	R1/4	3175 04 13
	1/4	R1/8	3175 56 10
	1/4	R1/4	3175 56 13
	3/8	R1/4	3175 60 13
	3/8	R3/8	3175 60 17
	3/8	R1/2	3175 60 21
	1/2	R1/4	3175 62 13
	1/2	R3/8	3175 62 17
	1/2	R1/2	3175 62 21

3109 NPT	ØD	NPT	Legris
Male Elbow fractional inch tube to male NPT 	5/32	1/8	3109 04 11
	5/32	1/4	3109 04 14
	1/4	1/8	3109 56 11
	1/4	1/4	3109 56 14
	1/4	3/8	3109 56 18
	3/8	1/8	3109 60 11
	3/8	1/4	3109 60 14
	3/8	3/8	3109 60 18
	3/8	1/2	3109 60 22
	1/2	1/4	3109 62 14
	1/2	3/8	3109 62 18
	1/2	1/2	3109 62 22

3109 BSPT	ØD	BSPT	Legris
Male Elbow fractional inch tube to male BSPT 	5/32	R1/8	3109 04 10
	5/32	R1/4	3109 04 13
	1/4	R1/8	3109 56 10
	1/4	R1/4	3109 56 13
	3/8	R1/4	3109 60 13
	3/8	R3/8	3109 60 17
	1/2	R1/4	3109 62 13
	1/2	R3/8	3109 62 17
	1/2	R1/2	3109 62 21

3114 BSPP	ØD	BSPP	Legris
Straight Female Connector fractional inch tube to female BSPP 	5/32	G1/8	3114 04 10
	5/32	G1/4	3114 04 13
This product can be used to connect the panel mounting manometer to the regulator.			




Identification

Each LF3000® fitting is identified by:


- Its series
- The diameter of passage through the fitting
- By the thread code or second tube diameter


Example Part Number	O.D. of tube		
	type of fitting	thread code or second tube O.D.	
Part Number Translation	3109	56	10
	Male Elbow	1/4 O.D.	1/8 BSPT


Related Products

0123 NPTF	ØD	NPT	Legris
Barbed Adapter for rubber hose 	1/4	1/8	0123 56 11
	1/4	1/4	0123 56 14
	1/4	3/8	0123 56 18
	3/8	1/8	0123 60 11
	3/8	1/4	0123 60 14
	3/8	3/8	0123 60 18
	3/8	1/2	0123 60 22
	3/8	3/4	0123 60 28
	1/2	1/4	0123 62 14
	1/2	3/8	0123 62 18
	1/2	1/2	0123 62 22
	1/2	3/4	0123 62 28
	5/8	3/8	0123 66 18
	5/8	1/2	0123 66 22
	5/8	3/4	0123 66 28
	3/4	1/2	0123 69 22
3/4	3/4	0123 69 28	
1	3/4	0123 75 28	
1	1	0123 75 35	

0670 BSPP	BSPP	Legris
Threaded Silencer 	G1/8	0670 00 10
	G1/4	0670 00 13
	G3/8	0670 00 17

0205 BSPT	BSPT	Legris
Internal Hex Head Plug 	R1/8	0205 00 10
	R1/4	0205 00 13
	R3/8	0205 00 17
	R1/2	0205 00 21

0661 NPT	NPT	DN	Legris
Male/Female Slide Valve 	1/8	.16	0661 04 11
	1/4	.27	0661 07 14
	3/8	.39	0661 10 18
	1/2	.55	0661 14 22

9405U	NPT	Legris
Male NPT Straight Body 	1/4	9405U06 14
	3/8	9405U06 18
	1/2	9405U06 22

9415U	NPT	Legris
Female NPT Straight Body 	1/4	9415U06 14
	3/8	9415U06 18
	1/2	9415U06 22



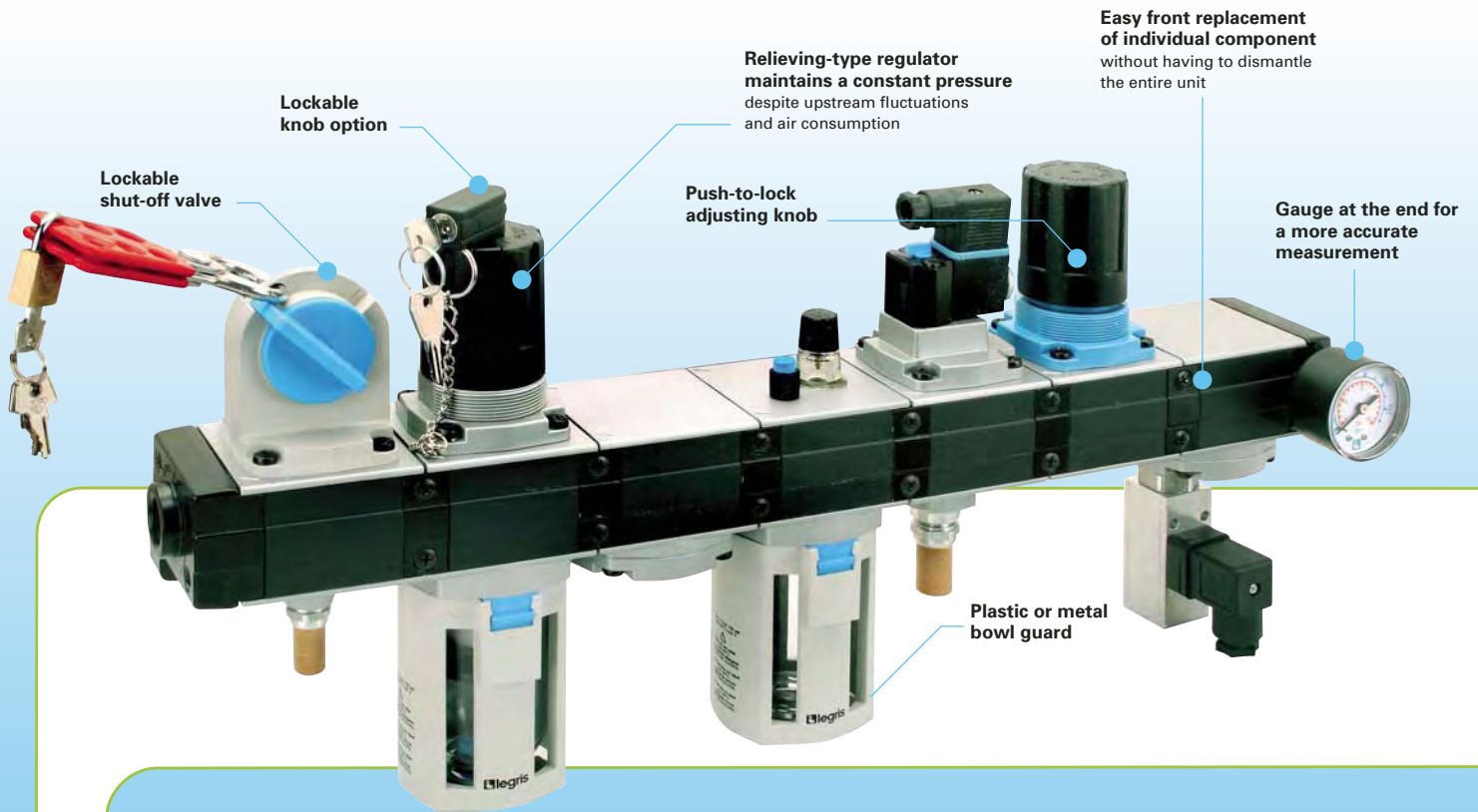
Legris Master Catalog & Transair

Legris also offers a complete range of Connection solutions for industrial fluids.

You will find these products in our catalog and on our web-site www.legris.com

Part #	Page	Part #	Page	Part #	Page	Part #	Page	Part #	Page
F011 M2 11 4	11	F033 00 28 4	19	F061 M3 14 3	25	F980 04 02	17, 34	0670 00 10	36
F011 M2 14 4	11	F033 00 35 4	19	F062 M5 11 4	25	F980 04 03	17, 34	0670 00 13	36
F011 M3 11 4	11	F041 M2 11 2	21	F062 M5 14 4	25	F980 05 01	17, 34	0670 00 17	36
F011 M3 14 4	11	F041 M2 11 3	21	F062 M5 18 4	25	F980 05 02	17, 34	3109 04 10	35
F012 M2 11 4	11	F041 M2 14 2	21	F063 M5 14 4	25	F980 05 03	17, 34	3109 04 11	35
F012 M2 14 4	11	F041 M2 14 3	21	F063 M5 18 4	25	F981 01 01	33	3109 04 13	35
F012 M2 18 4	11	F041 M3 11 2	21	F063 M5 22 4	25	F981 01 02	33	3109 04 14	35
F012 M5 11 4	11	F041 M3 11 3	21	F063 M5 28 4	25	F991 02 01	33	3109 56 10	35
F012 M5 14 4	11	F041 M3 14 2	21	F063 M5 35 4	25	F991 02 02	33	3109 56 11	35
F012 M5 18 4	11	F041 M3 14 3	21	F071 00 00 4	26	F991 03 01	15, 34	3109 56 13	35
F013 M2 14 4	11	F042 M2 00 1	21	F072 00 00 5	26	F991 03 02	15, 34	3109 56 14	35
F013 M2 18 4	11	F042 M2 00 5	21	F072 01 00 5	26	F992 01 01	33	3109 56 18	35
F013 M2 22 4	11	F042 M2 11 4	21	F073 00 00 5	26	F992 01 02	33	3109 60 11	35
F013 M2 28 4	11	F042 M2 14 4	21	F073 01 00 5	26	F992 01 03	33	3109 60 13	35
F013 M2 35 4	11	F042 M2 18 4	21	F083 00 00 5	27	F992 03 01	33	3109 60 14	35
F013 M5 14 4	11	F042 M5 00 1	21	F083 01 00 41	27	F992 04 01	33	3109 60 17	35
F013 M5 18 4	11	F042 M5 00 5	21	F083 01 00 42	27	F992 04 02	33	3109 60 18	35
F013 M5 22 4	11	F042 M5 11 4	21	F092 01 00 4	29	F992 06 01	15, 34	3109 60 22	35
F013 M5 28 4	11	F042 M5 14 4	21	F093 00 00 4	28	F992 06 02	15, 34	3109 62 13	35
F013 M5 35 4	11	F042 M5 18 4	21	F093 01 00 4	29	F992 06 03	15, 34	3109 62 14	35
F021 00 11 2	17	F043 M2 00 1	21	F103 00 00 4	30	F992 07 02	33	3109 62 17	35
F021 00 11 3	17	F043 M2 00 5	21	F112 00 00 5	31	F992 07 03	33	3109 62 18	35
F021 00 14 2	17	F043 M2 14 4	21	F113 00 00 5	31	F993 01 01	33	3109 62 21	35
F021 00 14 3	17	F043 M2 18 4	21	F123 00 00 4	32	F993 01 02	33	3109 62 22	35
F021 01 11 2	17	F043 M2 22 4	21	F123 00 14 4	32	F993 01 03	33	3114 04 10	35
F021 01 11 3	17	F043 M2 28 4	21	F123 00 18 4	32	F993 01 04	33	3114 04 13	35
F021 01 14 2	17	F043 M2 35 4	21	F123 00 22 4	32	F993 01 05	33	3175 04 10	35
F021 01 14 3	17	F043 M5 00 1	21	F123 00 28 4	32	F993 03 01	33	3175 04 11	35
F021 02 11 2	17	F043 M5 00 5	21	F123 00 35 4	32	F993 05 01	33	3175 04 13	35
F021 02 11 3	17	F043 M5 14 4	21	F133 00 00 4	12	F993 05 02	33	3175 04 14	35
F021 02 14 2	17	F043 M5 18 4	21	F133 00 14 4	12	F993 09 01	15, 34	3175 56 10	35
F021 02 14 3	17	F043 M5 22 4	21	F133 00 18 4	12	F993 09 02	15, 34	3175 56 11	35
F022 00 00 1	17	F043 M5 28 4	21	F133 00 22 4	12	F993 09 04	33	3175 56 13	35
F022 00 00 5	17	F043 M5 35 4	21	F133 00 28 4	12	F993 09 05	33	3175 56 14	35
F022 01 00 1	17	F051 M2 11 2	23	F133 00 35 4	12	F993 09 06	15, 34	3175 56 18	35
F022 00 14 4	17	F051 M2 11 3	23	F141 M1 11 4	13	F993 09 07	15, 34	3175 60 11	35
F022 00 18 4	17	F051 M2 14 2	23	F141 M1 14 4	13	0123 56 11	36	3175 60 13	35
F022 01 00 5	17	F051 M2 14 3	23	F142 M1 00 4	13	0123 56 14	36	3175 60 14	35
F022 01 11 4	17	F051 M3 11 2	23	F142 M1 11 4	13	0123 56 18	36	3175 60 17	35
F022 01 14 4	17	F051 M3 11 3	23	F142 M1 14 4	13	0123 60 11	36	3175 60 18	35
F022 01 18 4	17	F051 M3 14 2	23	F142 M1 18 4	13	0123 60 14	36	3175 60 21	35
F023 00 00 1	17	F051 M3 14 3	23	F143 M1 00 4	13	0123 60 18	36	3175 60 22	35
F023 00 00 5	17	F052 M2 00 1	23	F143 M1 14 4	13	0123 60 22	36	3175 62 13	35
F023 00 14 4	17	F052 M2 11 4	23	F143 M1 18 4	13	0123 60 28	36	3175 62 14	35
F023 00 18 4	17	F052 M2 14 4	23	F143 M1 22 4	13	0123 62 14	36	3175 62 17	35
F023 00 22 4	17	F052 M2 18 4	23	F143 M1 28 4	13	0123 62 18	36	3175 62 18	35
F023 00 28 4	17	F052 M5 00 1	23	F143 M1 35 4	13	0123 62 22	36	3175 62 21	35
F023 00 35 4	17	F052 M5 11 4	23	F151 M0 11 4	14	0123 62 28	36	3175 62 22	35
F023 01 00 1	17	F052 M5 14 4	23	F151 M0 14 4	14	0123 66 18	36	9405U06 14	36
F023 01 00 5	17	F052 M5 18 4	23	F152 M0 00 4	14	0123 66 22	36	9405U06 18	36
F023 01 14 4	17	F053 M2 00 1	23	F152 M0 11 4	14	0123 66 28	36	9405U06 22	36
F023 01 18 4	17	F053 M2 14 4	23	F152 M0 14 4	14	0123 69 22	36	9415U06 14	36
F023 01 22 4	17	F053 M2 18 4	23	F152 M0 18 4	14	0123 69 28	36	9415U06 18	36
F023 01 28 4	17	F053 M2 22 4	23	F153 M0 00 4	14	0123 75 28	36	9415U06 22	36
F023 01 35 4	17	F053 M2 28 4	23	F153 M0 14 4	14	0123 75 35	36		
F031 00 11 4	19	F053 M2 35 4	23	F153 M0 18 4	14	0205 00 10	36		
F031 00 14 4	19	F053 M5 00 1	23	F153 M0 22 4	14	0205 00 13	36		
F032 00 11 4	19	F053 M5 14 4	23	F153 M0 28 4	14	0205 00 17	36		
F032 00 14 4	19	F053 M5 18 4	23	F153 M0 35 4	14	0205 00 21	36		
F032 00 18 4	19	F053 M5 22 4	23	F980 02 01	17, 34	0661 04 11	36		
F033 00 14 4	19	F053 M5 28 4	23	F980 02 02	17, 34	0661 07 14	36		
F033 00 18 4	19	F053 M5 35 4	23	F980 02 03	17, 34	0661 10 18	36		
F033 00 22 4	19	F061 M3 11 3	25	F980 04 01	17, 34	0661 14 22	36		

legris



Lockable knob option

Lockable shut-off valve

Relieving-type regulator maintains a constant pressure despite upstream fluctuations and air consumption

Push-to-lock adjusting knob

Easy front replacement of individual component without having to dismantle the entire unit

Gauge at the end for a more accurate measurement

Plastic or metal bowl guard

FILTER



REGULATOR



LUBRICATOR



FILTER
REGULATOR



FILTER
REGULATOR
+ LUBRICATOR



FILTER
+ REGULATOR
+ LUBRICATOR



airware™

Legris Incorporated
7205 East Hampton Avenue
Mesa, Arizona 85209-3301

Tel: +1 480-830-0216
Fax: +1 800-839-7556
customerservice@legris.com

www.legris.com